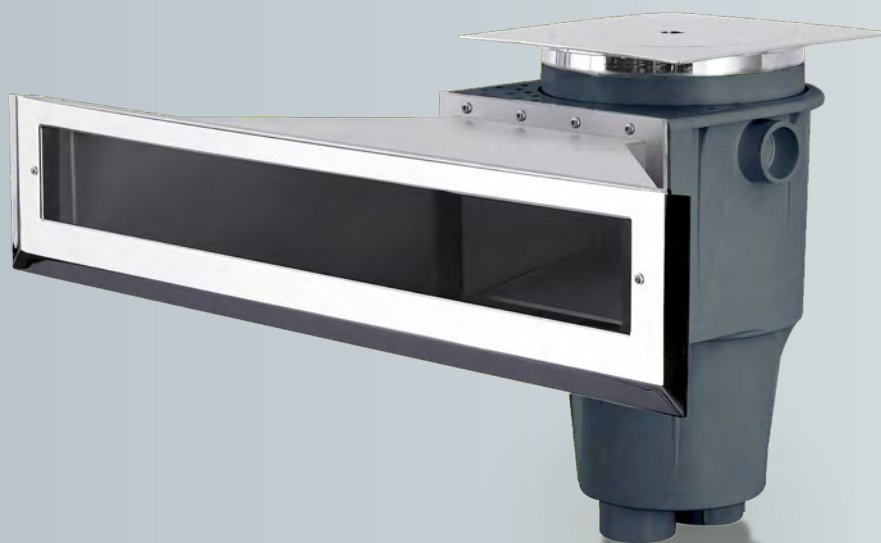




Ocean® skimmer M5 deluxe made of ABS in grey inclusive V4A stainless steel skimmer extension High75 and V4A skimmer lid



OCEAN® SKIMMER M5 DELUXE HIGH75



The very flat design allows an impressive 4.5 cm waterline and gives a nearly seamless transition from waterline to pool edge.

High-quality skimmer covers made of V4A stainless steel give the pool elegance and sophistication.



In the Ocean® Skimmer M5/PT deluxe a holder for a level sensor is integrated. The control unit and the protective grating are optionally available.

In case of low water level the sensor connected with a water level control forwards water into the pool. This avoids a dry running of the pump.

Page 48

Архангельск (8182)63-90-72
Астана (7172)727-132
Астрахань (8512)99-46-04
Барнаул (3852)73-04-60
Белгород (4722)40-23-64
Брянск (4832)59-03-52
Владивосток (423)249-28-31
Волгоград (844)278-03-48
Вологда (8172)26-41-59
Воронеж (473)204-51-73
Екатеринбург (343)384-55-89
Иваново (4932)77-34-06

Ижевск (3412)26-03-58
Иркутск (395)279-98-46
Казань (843)206-01-48
Калининград (4012)72-03-81
Калуга (4842)92-23-67
Кемерово (3842)65-04-62
Киров (8332)68-02-04
Краснодар (861)203-40-90
Красноярск (391)204-63-61
Курск (4712)77-13-04
Липецк (4742)52-20-81
Киргизия (996)312-96-26-47

Магнитогорск (3519)55-03-13
Москва (495)268-04-70
Мурманск (8152)59-64-93
Набережные Челны (8552)20-53-41
Нижний Новгород (831)429-08-12
Новокузнецк (3843)20-46-81
Новосибирск (383)227-86-73
Омск (3812)21-46-40
Орел (4862)44-53-42
Оренбург (3532)37-68-04
Пенза (8412)22-31-16
Казахстан (772)734-952-31

Пермь (342)205-81-47
Ростов-на-Дону (863)308-18-15
Рязань (4912)46-61-64
Самара (846)206-03-16
Санкт-Петербург (812)309-46-40
Саратов (845)249-38-78
Севастополь (8692)22-31-93
Симферополь (3652)67-13-56
Смоленск (4812)29-41-54
Сочи (862)225-72-31
Ставрополь (8652)20-65-13

Сургут (3462)77-98-35
Тверь (4822)63-31-35
Томск (3822)98-41-53
Тула (4872)74-02-29
Тюмень (3452)66-21-18
Ульяновск (8422)24-23-59
Уфа (347)229-48-12
Хабаровск (4212)92-98-04
Челябинск (351)202-03-61
Череповец (8202)49-02-64
Ярославль (4852)69-52-93

<https://smart.nt-rt.ru/> || sfd@nt-rt.ru



Smart skimmer High75 white ABS

ABS, suction width 700x90mm for concrete, liner and build-up pools, sealing, screw set, sieve basket, R1 1/2"+2" female thread connection for high water level 6-7 cm

Product	G-kg	PU	Prod.No.
High water level skimmer High75 white ABS with brass inserts	7.15	1.00	78491

Dimensions: page: 88



Smart skimmer High75 black ABS

ABS, suction width 700x90mm for concrete, liner and build-up pools, sealing, screw set, sieve basket, R 1 1/2"+2" female thread for high water level 6-7 cm

Product	G-kg	PU	Prod.No.
High water level skimmer High75 black ABS with brass inserts	7.15	1.00	78515

Dimensions: page: 88



Trim parts for Smart skimmer High75

Product	G-kg	PU	Prod.No.
Lid grey for Smart high water level skimmer High75	0.20	1.00	7300591
Skimmer flap grey for Smart high water level skimmer High75	0.50	1.00	7300592
Skimmer frame cover grey for Smart highwater level skimmer High75	0.42	1.00	7300593



Symbol Image

Suction plate for high water level skimmer High75 ABS

Product	G-kg	PU	Prod.No.
Suction plate for high water level skimmer	0.14	1.00	740040



Smart skimmer High50 white ABS

high water level skimmer ABS, for liner and build-up pools, sealing, screw set AISI-316, sieve basket, R1 1/2"+2" female thread

Product	G-kg	PU	Prod.No.
Smart skimmer High50 white ABS	7.00	1.00	7300488

Dimensions: page: 88



Find further niveau controls in chapter Controls

Niveau control NC01

plug-in with time delay switch (from 2–135 sec), incl. magnetic floater for easy installation on Ocean® skimmer M5 and PT, skimmer is equipped with an integrated and adjustable holder for the niveau floater

Product	G-kg	PU	Prod.No.
Niveau Control NC01			
Niveau-set NC01 with solenoid valve, 230VAC	1.30	1.00	130293
Spare parts			
Mini floater switch 5m connection cable	0.01	1.00	31150
2/2 way solenoid valve 24VDC NBR, G 1/2", IP65, normally closed	0.44	1.00	50631

Dimensions: page: 88

Smart ABS White Goods



Smart skimmer

for polyester and liner pools ABS, white, flow rate 150 l/min, 1 1/2" thread connection

Product	G-kg	PU	Prod.No.
Smart skimmer for polyester pools, ABS, white, flow rate 150 l/min, 1 1/2" thread connection	2.60	1.00	7300028

Dimensions: page: 94



Smart skimmer

for polyester and liner pools ABS, white

Product	G-kg	PU	Prod.No.
Smart skimmer for polyester pools, ABS, white	3.60	1.00	7300030

Dimensions: page: 94



Smart wide mouth skimmer

for polyester and liner pools ABS, white, flow rate 150 l/min, 1 1/2" thread connection

Product	G-kg	PU	Prod.No.
Smart wide mouth skimmer for polyester pools, ABS, white, flow rate 150 l/min, 1 1/2" threaded connection	3.70	1.00	7300029

Dimensions: page: 94



Smart wide mouth skimmer

for polyester and liner pools ABS, white

Product	G-kg	PU	Prod.No.
Smart wide mouth skimmer for polyester pools, ABS, white	5.80	1.00	7300031

Dimensions: page: 94



Smart skimmer mini

for above ground pools ABS, white, with screw set and sealings

Product	G-kg	PU	Prod.No.
Smart skimmer mini white single packed für above ground pools	2.44	4.00	78735

Dimensions: page: 95



Smart skimmer maxi

for above ground pools ABS, white, with screw set and sealings

Product	G-kg	PU	Prod.No.
Smart skimmer maxi white single packed for above ground pools	3.44	2.00	78736

Dimensions: page: 95



Smart wall conduit

for polyester and liner pools ABS, white, d50 mm solvent, imperial 1.5" solvent

Product	G-kg	PU	Prod.No.
Smart wall conduit for polyester and liner pools ABS white, d50 mm solvent internal, imperial 1,5" internal	0.30	12.00	7300038

Dimensions: page: 95



Smart inlet nozzle

for above ground pools ABS, white, with sealings

Product	G-kg	PU	Prod.No.
Return fitting ABS white single packed	0.19	72.00	78737

Dimensions: page: 95



Smart inlet nozzle

for polyester and liner pools ABS, white, G2A male thread, d50 solvent inner connection, recommended wall conduit 7300038, imperial 1.5" solvent inner connection, adjustable angle

Product	G-kg	PU	Prod.No.
Smart inlet nozzle for polyester- and liner pools ABS, white, G2A external thread, d50 solvent internal	0.45	24.00	7300034

Dimensions: page: 96



Smart vac nozzle

for polyester and liner pools d50 mm solvent inner connection, imperial 1.5" solvent inner connection, recommended wall conduit 7300038, G2A male thread

Product	G-kg	PU	Prod.No.
Smart vacuum nozzle for polyester and liner pools d50 mm solvent internal, imperial 1,5" solvent internal	0.45	12.00	7300037

Dimensions: page: 96



Smart floor inlet nozzle

for polyester and liner pools ABS, white, d50 mm solvent, imperial 1.5" solvent, G2A male thread

Product	G-kg	PU	Prod.No.
Smart floor inlet nozzle for polyester and liner pools, ABS, white, d50 solvent internal, imperial 1,5" solvent internal, G2A thread external	0.45	12.00	7300036

Dimensions: page: 96



Smart floor inlet nozzle

for concrete pools ABS, white, d50 mm solvent, imperial 1.5" solvent, G2A male thread

Product	G-kg	PU	Prod.No.
Smart inlet nozzle for concrete pools, white, d50 solvent inside, imperial 1,5" solvent inside, G2A thread outside	0.34	24.00	7300035

Dimensions: page: 96



Smart main drain

ABS, white, 1 1/2" thread connection

Product	G-kg	PU	Prod.No.
Smart main drain ABS, white, for polyester pools, 1 1/2" connection	0.95	20.00	7300178

Dimensions: page: 97



Smart main drain

ABS, white, 1 1/2" / 2" thread connection

Product	G-kg	PU	Prod.No.
Smart main drain ABS, white, 1 1/2" / 2" thread connection	1.00	8.00	7300033

Dimensions: page: 97



Smart main drain

ABS, white 305 x 305 mm

Product	G-kg	PU	Prod.No.
Smart main drain ABS, white	5.70	20.00	7300032

Dimensions: page: 97



Smart main drain

for tile and mosaic pools ABS, 245 × 245 mm, 9 × 9"

Product	G-kg	PU	Prod.No.
Main drain ABS white 245 x 245 mm (9" x 9")	0.83	10.00	74349



Smart main drain

for tile and mosaic pools ABS, 265 × 265 mm, 10 × 10"

Product	G-kg	PU	Prod.No.
Main drain ABS white 265 x 265mm complete mounted UV-resistant	0.90	25.00	170183



Smart main drain

for tile and mosaic pools ABS, 320 × 320 mm, 12 × 12"

Product	G-kg	PU	Prod.No.
Main drain ABS white 320 x 320 mm (12" x 12")	1.32	1.00	74350



SWIMMING IN GLEAMING SHINE



Smart stainless steel skimmer V4A 40
with frontal removable basket



Smart inlet nozzle V4A



Smart V4A wall conduits with
water stop

PERAQUA® V4A STAINLESS STEEL WHITE GOODS

The name of V4A steel comes from trying to produce steel grades from an alloy of iron, chrome and nickel. So "V4" stands for trial melt 4 and "A" for austenite. Chrome and Nickel are main components of V2A stainless steel, V4A is still higher-graded and is additionally alloyed with molybdenum.

V4A stainless steel is highly durable, versatile, elegant and rust-free and a fix component in the global pool industry. When using salt electrolysis V4A stainless can be used up to a max. salinity of 1.5 g/l.

NEW

At a maximum salt content of up to 15 g/l we recommend to use Titanium stainless steel which is available on request.

NOTE
Using salt electrolysis systems in combination with stainless steel V4A can lead to corrosion!



Customer pool, Perg / Austria

Smart stainless steel skimmer V4A High60

Product	G-kg	PU	Prod.No.
Smart stainless steel skimmer V4A High60 for concrete pools	22.00	1.00	7300626
Smart stainless steel skimmer V4A High60 for concrete pools with integrated holder for niveau control	24.00	1.00	7300627
Smart stainless steel skimmer V4A High60 for liner pools	23.00	1.00	7300628
Smart stainless steel skimmer V4A High60 for liner pools with integrated holder for niveau control	25.00	1.00	7300629

Dimensions: page: 97

Smart stainless steel skimmer V4A High70

Product	G-kg	PU	Prod.No.
Smart stainless steel skimmer V4A High70 for concrete pools	27.00	1.00	7300630
Smart stainless steel skimmer V4A High70 for concrete pools with integrated holder for niveau control	23.00	1.00	7300631
Smart stainless steel skimmer V4A High70 for liner pools	26.00	1.00	7300632
Smart stainless steel skimmer V4A High70 for liner pools with integrated holder for niveau control	27.00	1.00	7300633

Dimensions: page: 98

Smart stainless steel skimmer V4A 40 with frontal removable basket

Product	G-kg	PU	Prod.No.
Smart stainless steel skimmer V4A 40 for concrete pools with frontal removable basket	11.00	1.00	7300634
Smart stainless steel skimmer V4A 40 for concrete pools with frontal removable basket with integrated holder for niveau control	12.00	1.00	7300635
Smart stainless steel skimmer V4A 40 for liner pools with frontal removable basket	12.00	1.00	7300638
Smart stainless steel skimmer V4A 40 for liner pools with frontal removable basket with integrated holder for niveau control	13.00	1.00	7300639

Dimensions: page: 98

Smart stainless steel skimmer V4A 60 with frontal removable basket

Product	G-kg	PU	Prod.No.
Smart stainless steel skimmer V4A 60 for concrete pools with frontal removable basket	16.00	1.00	7300636
Smart stainless steel skimmer V4A 60 for concrete pools with frontal removable basket and integrated holder for niveau control	17.00	1.00	7300637
Smart stainless steel skimmer V4A 60 for liner pools with frontal removable basket	17.00	1.00	7300640
Smart stainless steel skimmer V4A 60 for liner pools with frontal removable basket and integrated holder for niveau control	18.00	1.00	7300641

Dimensions: page: 98



Smart wall conduit stainless steel V4A with water stop

Product	G-kg	PU	Prod.No.
Smart wall conduit stainless steel V4A with waterstop and thread l = 250mm 1 1/2" female thread x 1 1/2" female thread	3.50	1.00	7300642
Smart wall conduit stainless steel V4A with waterstop and thread l = 350mm 1 1/2" female thread x 1 1/2" female thread	4.50	1.00	7300643
Smart wall conduit stainless steel V4A with waterstop and thread l = 250mm 2" female thread x 2" female thread	4.50	1.00	7300644
Smart wall conduit stainless steel V4A with waterstop and thread l = 350mm 2" female thread x 2" female thread	5.00	1.00	7300645



short version

Smart wall conduit stainless steel V4A short version for liner pools

Product	G-kg	PU	Prod.No.
Smart wall conduit stainless steel V4A short version for liner pools thread l = 100mm 1 1/2" female thread x 1 1/2" male thread	3.50	1.00	7300646
Smart wall conduit stainless steel V4A for liner pools with waterstop and thread l = 250mm 1 1/2" female thread x 1 1/2" female thread	4.00	1.00	7300647
Smart wall conduit stainless steel V4A short for liner pools, thread l = 100mm 2" female thread x 2" male thread	4.50	1.00	7300648
Smart stainless steel wall conduit V4A liner pools with water-stop and thread l = 250mm 2" FT x 2" FT	5.00	1.00	7300649



Smart inlet nozzle stainless steel V4A DIN

Product	G-kg	PU	Prod.No.
Smart inlet nozzle stainless steel V4A DIN for concrete pools 1 1/2" male thread	0.45	1.00	7300650
Smart inlet nozzle stainless steel V4A DIN for concrete pools 2" male thread	0.50	1.00	7300651
Smart inlet nozzle stainless steel V4A DIN for liner pools 1 1/2" male thread	0.70	1.00	7300652
Smart inlet nozzle stainless steel V4A DIN for liner pools 2" male thread	1.20	1.00	7300653

Dimensions: page: 99



Smart wall suction stainless steel V4A

Product	G-kg	PU	Prod.No.
Smart wall suction stainless steel V4A for concrete pools 2" male thread	0.80	1.00	7300654
Smart wall suction stainless steel V4A for liner pools 2" AG	1.20	1.00	7300655

Dimensions: page: 99



Smart floor inlet nozzle stainless steel V4A adjustable

Product	G-kg	PU	Prod.No.
Smart floor inlet nozzle stainless steel V4A adjustable for concrete pools 2" male thread	2.00	1.00	7300656
Smart floor inlet nozzle stainless steel V4A adjustable for liner pools 2" male thread	3.50	1.00	7300657



Smart main drain stainless steel V4A

Product	G-kg	PU	Prod.No.
Smart main drain stainless steel V4A for concrete pools 200 x 200mm 2" female thread	5.00	1.00	7300658
Smart main drain stainless steel V4A for liner pools 200 x 200mm 2" female thread	6.00	1.00	7300659
Smart main drain stainless steel V4A for concrete pools 250 x 250mm 2" female thread	7.00	1.00	7300660
Smart main drain stainless steel V4A for liner pools 250 x 250mm 2" female thread	8.00	1.00	7300661

Dimensions: page:



Smart junction box V4A

Product	G-kg	PU	Prod.No.
Smart junction box stainless steel V4A	1.00	1.00	74503

Dimensions: page: 100



Smart main drain V4A

for tile and mosaic pools

Product	G-kg	PU	Prod.No.
Main drain ss316 stainless steel 320 x 320 mm (12" x 12")	2.03	10.00	74351
Main drain ss316 stainless steel 245 x 245 mm (9" x 9")	1.24	1.00	74352



Smart suction system for flush showers

for liner pools, female thread 2½", earthing connection

Product	G-kg	PU	Prod.No.
Ocean Suction for shower, liner, bright finish AISI 316L	4.50	1.00	78528

Dimensions: page: 101



Smart stainless steel ladder MURO deluxe

made of bright polished stainless steel tubes ø43 mm (AISI304 / V2A), including installation kit (rubber bumper, screws and nuts AISI304 / V2A), produced according to EN 13451-1, EN 13451-2

Product	G-kg	PU	Prod.No.
Smart stainless steel ladder MURO deluxe 2-steps antislip steps	9.00	1.00	77550
Smart stainless steel ladder MURO deluxe 3-steps antislip steps	10.50	1.00	77551
Smart stainless steel ladder MURO deluxe 4-steps antislip steps	12.40	1.00	77552
Smart stainless steel ladder MURO deluxe 5-steps antislip steps	13.70	1.00	77553

Dimensions: page: 101



Smart stainless steel ladder STANDARD deluxe

made of bright polished stainless steel tubes $\varnothing 43$ mm (AISI304 / V2A), including installation kit (rubber bumper, screws and nuts AISI304 / V2A), produced according to EN 13451-1, EN 13451-2

Product	G-kg	PU	Prod.No.
Smart stainless steel ladder STANDARD deluxe 2-step antislip steps	9.80	1.00	77558
Smart stainless steel ladder STANDARD deluxe 3-step antislip steps	11.50	1.00	77559
Smart stainless steel ladder STANDARD deluxe 4-step antislip steps	14.00	1.00	77560
Smart stainless steel ladder STANDARD deluxe 5-step antislip steps	15.00	1.00	77561

Dimensions: page: 101

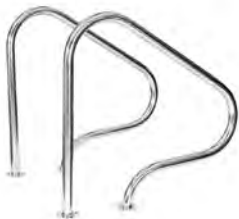


Smart stainless steel ladder MIXED deluxe

made of bright polished stainless steel tubes $\varnothing 43$ mm (AISI304 / V2A), including installation kit (rubber bumper, screws and nuts AISI304 / V2A), produced according to EN 13451-1, EN 13451-2

Product	G-kg	PU	Prod.No.
Smart stainless steel ladder MIXED deluxe 2-steps, antislip steps	9.80	1.00	77566
Smart stainless steel ladder MIXED deluxe 3-steps, antislip steps	11.50	1.00	77567
Smart stainless steel ladder MIXED deluxe 4-steps, antislip steps	14.00	1.00	77568
Smart stainless steel ladder MIXED deluxe 5-steps, antislip steps	15.00	1.00	77569

Dimensions: page: 102



Smart hand rail deluxe, type A

made of bright polished stainless steel tubes $\varnothing 43$ mm (AISI304 / V2A), including installation kit (rubber bumper, screws and nuts AISI304 / V2A), produced according to EN 13451-1, EN 13451-2

Product	G-kg	PU	Prod.No.
Smart hand rail, type A	9.30	1.00	77596

Dimensions: page: 102



Smart hand rail deluxe, type B

made of bright polished stainless steel tubes $\varnothing 43$ mm (AISI304 / V2A), including installation kit (rubber bumper, screws and nuts AISI304 / V2A), produced according to EN 13451-1, EN 13451-2

Product	G-kg	PU	Prod.No.
Smart hand rail deluxe, type B	3.00	1.00	77597

Dimensions: page: 102



Smart hand rail deluxe, type C

made of bright polished stainless steel tubes $\varnothing 43$ mm (AISI304 / V2A), including installation kit (rubber bumper, screws and nuts AISI304 / V2A), produced according to EN 13451-1, EN 13451-2

Product	G-kg	PU	Prod.No.
Smart hand rail deluxe, type C	6.05	1.00	77598

Dimensions: page: 102



DESIGNING EMOTIONS

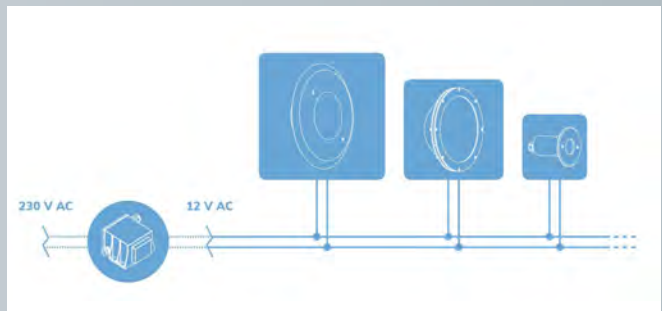
UNDERWATER LIGHTING WITH THE MAGIC SERIES

The new underwater LED series from Peraqua gives the pool a touch of magic. The lights create scenes, achieve spaces and awaken emotions. The RGB colors relax or activate, causing the pool with static and dynamic color changes a situational character.

WHITE

2 wires

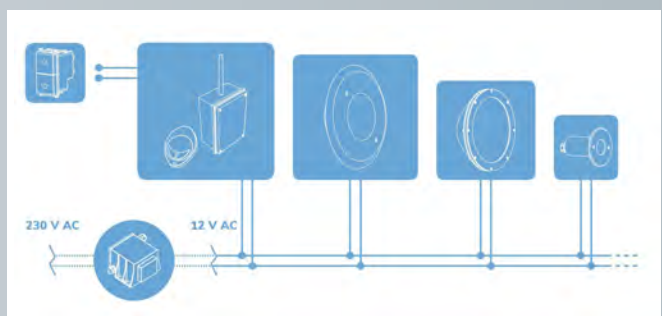
LED lamps with 2-wire cable with fixed white colour (w) or blue (b)



RGB POWER LINE

2 wires

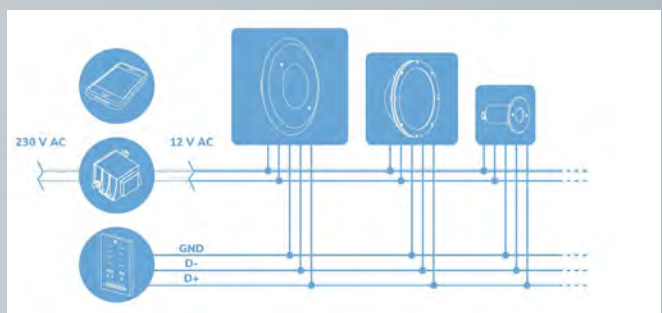
LED lamps that change colour using RGBW technology with 2-wire cable compatible with existing systems, controlled by a PLC system with which it is possible to set 13 fixed colours and 10 automatic sequences.



RGB DMX

5 wires

LED lamps that change colour using RGBW technology with 5-wire cable controlled by a DMX system. Every lamp can be programmed individually so that the spaces can be divided into different zones, making it possible to create automatic sequences and infinite combinations colours.



NEW



Smart Magic LED under water light

Peraqua under water lights Smart Magic series high end quality level, ABS white good, V4A light incl. frame, available in LED white, RGB powerline (colour change) and RGB DXM (colour change, dimming function, etc.), each single lamp has a serial number, for liner pools, made in EU.

Product	G-kg	PU	Prod.No.
Smart Magic LED underwater spotlight ABS for liner pools V4A cover 4060 lumen white	0.00	1.00	7300813
Smart Magic LED underwater spotlight ABS for liner pools V4A cover 1990 lumen RGB powerline	0.00	1.00	7300814
Smart Magic LED underwater spotlight ABS for liner pools V4A cover 1896 lumen RGB DMX	0.00	1.00	7300815

Dimensions: page: 105

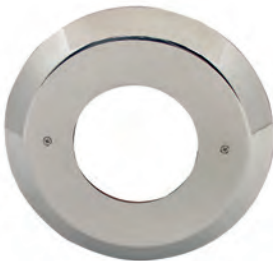


Smart Magic Round 20 LED under water lights KS

round version of the Smart Magic series, diameter ca. 20cm incl. frame, ABS white good, V4A lamp incl. POM frame, available in LED white, RGB powerline (colour change) and RGB DXM (colour change, dimming function, etc.), each single lamp has a serial number, for liner pools, made in EU.

Product	G-kg	PU	Prod.No.
Smart Magic Round 20 LED spotlight KS for liner pools POM cover 4330 lumen white	0.00	1.00	7300816
Smart Magic Round 20 LED spotlight KS for liner pools POM cover 2170 lumen RGB powerline	0.00	1.00	7300817
Smart Magic Round 20 LED spotlight KS for liner pools POM cover 2170 Lumen RGB DMX	0.00	1.00	7300818

Dimensions: page: 105



V4A frame for Smart Magic Round 20 LED under water light

Product	G-kg	PU	Prod.No.
V4A cover for Smart Magic Round 20 LED underwater spotlight	0.00	1.00	7300819



Smart Magic Round 13 LED under water lights KS

round version of the Smart Magic series, diameter ca. 13cm incl. frame, ABS white good, V4A lamp incl. POM Blende, available in LED white, RGB powerline (colour change) and RGB DXM (colour change, dimming function, etc.), each single lamp has a serial number, for liner pools, made in EU.

Product	G-kg	PU	Prod.No.
Smart Magic Round 13 LED underwater spotlight KS for liner pools POM cover white 790 lumen white	0.00	1.00	7300820
Smart Magic Round 13 LED underwater spotlight KS for liner pools POM cover white 432 lumen RGB powerline	0.00	1.00	7300821
Smart Magic Round 13 LED underwater spotlight KS for liner pools POM cover white 432 lumen RGB DMX	0.00	1.00	7300822

Dimensions: page: 105



Symbol Image

Wall conduit long for Smart Magic Round 13 LED

for liner pools, for changing the lamp without draining of the pool water, cable can stay in the cable gland

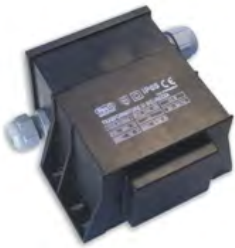
Product	G-kg	PU	Prod.No.
Wall extension long for Smart Magic Round 13 LED underwater spotlight for liner pools	0.00	1.00	7300823

Dimensions: page: 105



V4A frame for Magic Round 13 LED

Product	G-kg	PU	Prod.No.
V4A cover for Smart Magic Round 13 LED underwater spotlight	0.00	1.00	7300824



Transformer for Smart Magic LED

under water light 230VAC - 12VAC

Product	G-kg	PU	Prod.No.
Trafo 100VA for Smart Magic LED underwater spotlight 230V - 12VA	0.00	1.00	7300825
Trafo 300VA for Smart Magic LED underwater spotlight 230V - 12VA	0.00	1.00	7300826



Signal transmitter with remote control for Magic LED

for under water light RGB powerline

Product	G-kg	PU	Prod.No.
Signal transmitter with remote control for Smart Magic LED underwater spotlight RGB powerline	0.00	1.00	7300827



Signal transmitter with button for Smart Magic LED

for under water light RGB powerline

Product	G-kg	PU	Prod.No.
Signal transmitter with button for Smart Magic LED underwater spotlight RGB powerline	0.00	1.00	7300828



DMX Box for Smart Magic LED

for Smart Magic LED under water light RGB DMX

Product	G-kg	PU	Prod.No.
DMX box for Smart Magic LED underwater spotlight RGB DMX	0.00	1.00	7300829



Remote control for DMX Box

Product	G-kg	PU	Prod.No.
Remote control for DMX box	0.00	1.00	7300830



Replacement lamp for Wibre LED

Product	G-kg	PU	Prod.No.
Replacement lamp V4A 2970 Lumen white	0.00	1.00	7300831
Replacement lamp V4A 1990 Lumen RGB powerline	0.00	1.00	7300832
Replacement lamp V4A RGB DMX	0.00	1.00	7300833

FIGHT THE STREAM

JET STREAMS - THE PERFECT COUNTER-CURRENT SYSTEMS FOR EACH POOL

Transform your pool to an endless swimming lane by activating and controlling the flow of the pool at the touch of a button with an adjustable flow, swimming becomes a sporting challenge even in smaller pools.

JetStream was named the world's first counter-current system. The name comes from the weather phenomenon JetStream, an up to 500 km/h airflow sweeping over the earth at a height of about 15 km.

In our assortment we offer facilities with pump capacities of up to 225 m³ water per hour, that all have one thing in common: a current for everyone, even for the most skilled swimmers.

TRIVA

For professional training and ambitious athletes*

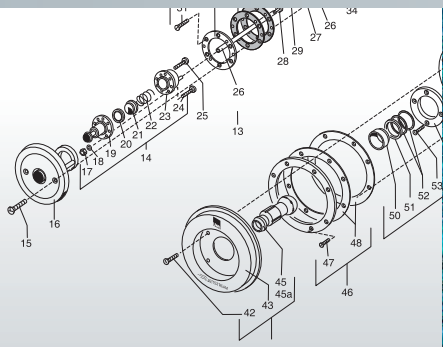


JUNO

Double benefit – for amateur athletes and wellness-lovers



**powerful flow just below the water surface, exactly at the level of the chest and shoulder muscles*



Enjoy our spare part service for all jet stream types.



At pool construction we recommend to already install the wall fitting for a jet stream. Thus, a simple and subsequent integration of a jet stream system is guaranteed.

MIRO

For tricky placement and individual pool facilities

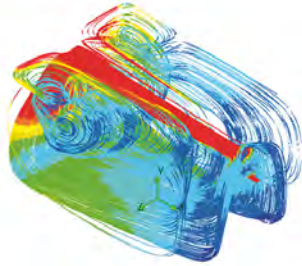
EUROJET & DUNA

For maximum pleasure at minimal installation effort



Smart jet stream TRIVA

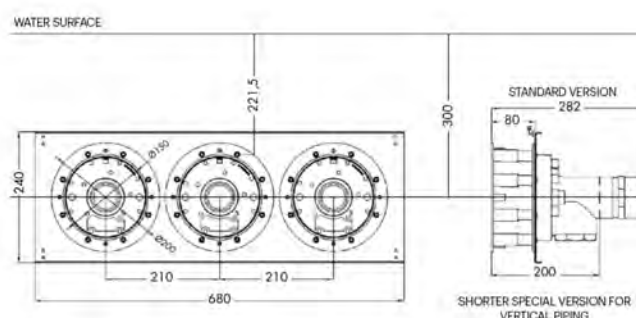
The new JetStream TriVA countercurrent swimming unit with innovative flat technology that generates a flat, powerful current just under the surface of the water.



Flow simulation Triva

- Suitable for professional training
- Flow rates from 75 m³/h to 225 m³/h
- FLAT-Stream Technology
- Extremely powerful and smooth current
- Less turbulent water surface than with conventional countercurrent systems
- 3-step operation via Jetstream PIEZO
- Wall fitting in high quality ABS plastics
- Optional available: wall fittings in stainless steel (316TI) with weld flange
- Front blinds in stainless steel 316TI, mirror polished
- Voltage: three-phase current (~3N 400 V AC)
- Pump flow rate 75m³/h | 2x 75m³/h | 3x 75m³/h
- 3 flat-stream nozzles
- JetStream PIEZO
- 2 or 4 separate safety suction covers WAVE 40 | WAVE 100

Product	G-kg	PU	Prod.No.
Wall fitting set TriVA 75 complete, ABS			
Wall fitting set TriVA 75 containing: - Wall fitting TriVA nozzle - Wall fitting switch - 2x wall fitting Wave 40	13.50	1.00	7300733
Wall fitting set TriVA 150 complete, ABS			
Wall fitting set TriVA 150 containing: - Wall fitting TriVA nozzle - Wall fitting switch - 4x wall fitting Wave40	17.00	1.00	7300734
Wall fitting set TriVA 225, complete ABS			
Wall fitting set TriVA225 containing: - Wall fitting TriVA nozzle - Wall fitting switch - 2x wall fitting Wave100	27.30	1.00	7300735
Nozzle housing TriVA 75 stainless steel			
Nozzle housing TriVA 75 stainless steel	13.50	1.00	7300736
Nozzle housing TriVA 150 stainless steel			
Nozzle housing TriVA 150 stainless steel	17.00	1.00	7300737
Nozzle housing TriVA 225 stainless steel			
Nozzle housing TriVA 225 stainless steel	9.00	1.00	7300738
Supplementary Parts Triva 75			
Supplementary Parts Triva 75 - front plate TriVA, Stainless steel - Piezo switch with rect. stainless steel front plate - 2x Wave 40, 285x285mm, stainless steel - 1x Pump 3-400V, 3,5 KW 2,5" - control box - accessories	39.00	1.00	7300739
Supplementary Parts Triva 150			
Supplementary Parts Triva 150 - front plate TriVA, Stainless steel - Piezo switch with rect. stainless steel front plate - 4x Wave 40, 285x285mm, stainless steel - 2x Pump 3-400V, 3,5 KW 2,5" - control box - accessories	67.00	1.00	7300740
Supplementary Parts Triva 225			
Supplementary Parts Triva 225 - front plate TriVA, Stainless steel - Piezo switch with rect. stainless steel front plate - 2x Wave 100, 358x565mm, stainless steel - 3x Pump 3-400V, 3,5 KW 2,5" - control box - accessories	95.00	1.00	7300741
Clamping frame set TriVA 75			
Clamping frame set TriVA 75for all wall fittings of TriVA75	2.30	1.00	7300742
Clamping frame set TriVA150			
Clamping frame set TriVA150 for all wall fittings of TriVA150	3.00	1.00	7300743
Clamping frame set TriVA225			
Clamping frame set TriVA225 for all wall fittings of TriVA225	5.90	1.00	7300744



Dimensions for cover:
 Front Panel: 640 x 220 x 15 mm
 Piezo-electric button: 141 x 220 x 15 mm
 Front Panel Suction Wave 40: 220 x 220 x 20 mm
 Front Panel Suction Wave 100: 545 x 338 x 20 mm



Stainless Steel design



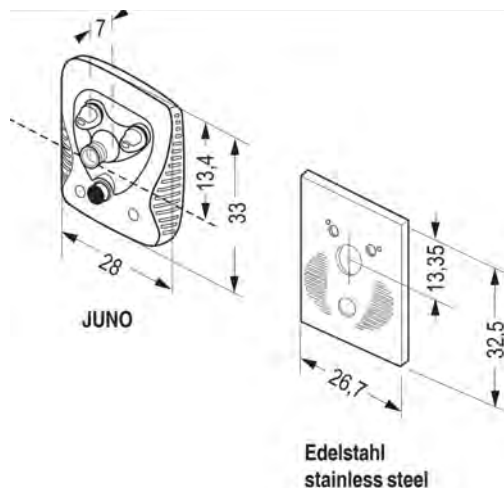
Stainless Steel cover

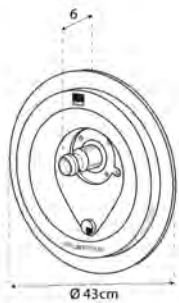
Smart jet stream JUNO

Small beginnings, big effects. Is there a countercurrent system which makes big waves for a small investment? Yes, and it's called JetStream JUNO. Up to 18 litres per second can be forced through its swivel nozzle. Or just as much as you are comfortable with – because the force of the flow can be fully regulated by just turning the knob, for example, if you want a relaxing pressure point massage using the massage hose and the back jet. The flow of oxygen for a tingling air bubble bath can also be fully regulated.

- JetStream JUNO comes in three alternative materials. Premium quality plastic in white or stainless steel optic or in stainless steel.
- an installation kit that can be welded to the pool is available for stainless steel pools.
- Power consumption: 3.500 Watt
- Flow: 18 litres per second (65 m³/h)
- Integrated suction
- Swivel nozzle with fully adjustable flow
- Adjustable air bubble bath
- On/Off pneumatic air switch
- Stainless steel version with JetStream PIEZO

Product	G-kg	PU	Prod.No.
JUNO Wall-Fitting PVC			
JUNO Wall-Fitting PVC	5.00	1.00	7300745
JUNO Wall Fitting Stainless Steel			
JUNO Wall Fitting stainless steel with weld flange for stainless steel pools	3.90	1.00	7300746
JUNO Supplementary Parts white, 3,5 kW			
JUNO Supplementary parts white, 3,5 kW, 3 phase pump	30.70	1.00	7300747
JUNO Supplementary Parts white, 3,2 kW			
JUNO Supplementary Parts white with PVC Fitting, 3,2 kW, 1 phase pump	35.40	1.00	7300748
JUNO Supplementary Parts 3,5 KW 3-phase			
JUNO Supplementary Parts 3,5 KW 3-phase in silver Version	30.70	1.00	7300749
JUNO supplementary parts white, 3,5 kW, 3 phase pump			
JUNO Supplementary Parts 3,2 KW 1-phase in silver version	30.70	1.00	7300750
JUNO Piezo Supplementary Parts			
JUNO Piezo Supplementary Parts - Nozzlehousing Piezo - frontplate Piezo stainless steel - 3.5kW pump 3-400V, 2" - control box - decoupling hoses, ball valves - accessories	30.70	1.00	7300751
JUNO Supplementary PartsFront plate Piezo			
JUNO Supplementary Parts front plate Piezo in stainless steel with 1-phase 3,2 KW pump	30.70	1.00	7300752
Supplementary parts Juno with front plate in stainless steel			
Supplementary parts Juno with front plate in stainless steel for wall-Fitting stainless steel with piezo 3,5 kW 3-Ph	38.00	1.00	7300753
Supplementary parts Juno with front plate in stainless steel			
Supplementary parts Juno with front plate in stainless steel for wall-Fitting stainless with piezo 3,2kW 1-Ph	38.00	1.00	7300754
Clamping frame JUNO			
Clamping frame JUNO for liner pools	0.64	1.00	7300755





Smart jet stream EUROJET

A big performance for a small outlay: the JetStream EUROJET compact system proves it's possible. PVC ball valves, PVC pipes and the control panel – all the components are pre-assembled. It takes minimum effort to install, but gives maximum pleasure. Either 13 or 11 liters per second (there are two versions of JetStream EUROJET), a swivel nozzle, fully adjustable flow and an air bubble bath option. In short: you get a lot for a little.

- Flow: 11 to 13 liters per second
- Swivel nozzle with fully adjustable flow
- Air bubble bath
- On/Off pneumatic air switch
- Salt water resistant up to 3%
- ABS cover

Product	G-kg	PU	Prod.No.
EUROJET Wall- Fitting			
EUROJET Wall- Fitting with PVC Fittings	4.30	1.00	7300757
EUROJET Supplementary Parts white version			
EUROJET Supplementary Parts white version with PVC fittings with 2,5 KW, 3-phase pump	33.00	1.00	7300758
EUROJET Supplementary Parts white version			
EUROJET Supplementary Parts white version with PVC fittings with 1,7 KW, 1-phase pump	25.00	1.00	7300759
Clamping Frame for liner pools			
Clamping Frame for liner pools EUROJET, DUNA	1.00	1.00	7300760



NEW



Smart jet stream DUNA

A powerful Countercurrent unit for little money, similar to EUROJET, however with more compact and designed front parts. Higher performance with 11 to 18 liters / sec. Pre-assembled. Swivel nozzle. Adjustable flow and an air bubble bath option.

- Flow 11 to 18 liters / sec.
- Pre-assembled
- nice, modern design
- best cost/performance ratio

Product	G-kg	PU	Prod.No.
Wall Fitting for DUNA			
Wall Fitting for DUNA	4.30	1.00	7300761
DUNA Supplementary Parts for PVC fittings			
DUNA Supplementary Parts for PVC fittings with 3,5 KW, 3-phase pump	31.00	1.00	7300762
DUNA Supplementary Parts for PVC fittings			
DUNA Supplementary Parts for PVC fittings with 3,2 KW, 1-phase pump	34.00	1.00	7300763
Clamping Frame for liner pools			
Clamping Frame for liner pools EUROJET, DUNA	1.00	1.00	7300760

The jet stream DUNA is the more powerful version of EUROJET with high-quality and more compact front panel.

NEW



Also available in ABS white

Smart jet stream MIRO 1

JetStream MIRO is not only an impressive sight in the side of the pool, but can also add a sophisticated touch to any swimming pool steps. The performance matches the appearance. With a maximum flow of 18 litres per second, the mighty JetStream MIRO is one of the big boys of the JetStream range. But as with all JetStream counter-current systems, on JetStream MIRO too the force of the jet can be fully regulated with the control knob. With JetStream MIRO you can do far more than just try your strength at swimming. Turn the knob and the thrusting flow from the nozzle changes to a soft shower of bubbles. Use the massage hose and the back jet to loosen up tense muscles and relax exactly those parts of your body which need it most. Or turn the pressure down to half power and stand right in front of the nozzle for a powerful all-over massage. You'll have to hold on tight though, perhaps using the handles you will find among the JetStream accessories.

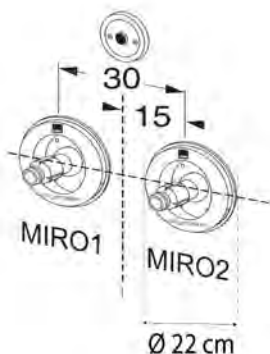
- Flow: 12 to 21 litres per second
- 1-2 swivel nozzles with fully adjustable flow
- Air bubble bath
- Stainless steel version with JetStream PIEZO available
- Separate suction
- Suction grille in stainless steel or white

Product	G-kg	PU	Prod.No.
MIRO 1 Wall- fitting set ABS			
MIRO 1 Wall- fitting set ABS containing: 1x wall fitting nozzle 1x wall fitting switch 2x wall fitting suction	6.00	1.00	7300764
MIRO 1 Supplementary Part set ABS white			
MIRO 1 Supplementary Part set ABS white - nozzle + front plate white - 2.5kW 3-400V pump - 2 suction grills - pneu- matic switch - control box - various fittings and accessories	30.30	1.00	7300765
MIRO 1 Supplementary Part set stainless steel			
MIRO 1 Supplementary Part set stainless steel - nozzle silver + front plate stainless steel - 3.5kW 3-400V pump - 2 suction grills stainless steel - Piezo switch - control box - various fittings and accessories	34.00	1.00	7300766
MIRO 1 Clamping frame for liner pools			
MIRO 1 Clamping frame for liner pools	1.80	1.00	7300767

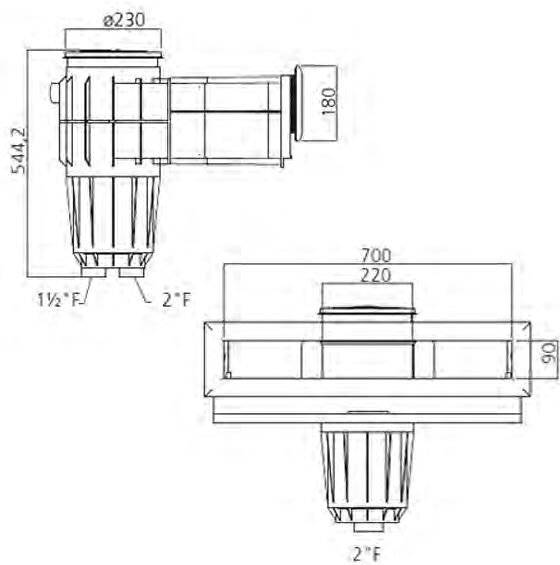


Optionally with 2 swingable nozzles
with controllable thrust, also available
in ABS white

Product	G-kg	PU	Prod.No.
MIRO 2 Wall- fitting set ABS			
MIRO 2 Wall- Fitting set ABS containing: 2x wall fitting nozzle 1x wall fitting switch 2x wall fitting suction	12.00	1.00	7300768
MIRO 2 Supplementary Part set ABS white			
MIRO 2 Supplementary Part set ABS white - 2x nozzle + front plate white - 3.5kW 3-400V pump - 2 suction grills - pneumatic switch - control box - various fittings and accessories	41.00	1.00	7300769
MIRO 2 Supplementary Part set stainless steel			
MIRO 2 Supplementary Part set stainless steel - 2x nozzle silver + 2x front plate stainless steel - 3.5kW 3-400V pump 2,5" - 2 suction grills stainless steel - Piezo switch - control box - various fittings and accessories	41.00	1.00	7300770
MIRO 2 Clamping frame set for liner pools			
MIRO 2 Clamping frame set for liner pools	3.00	1.00	7300771

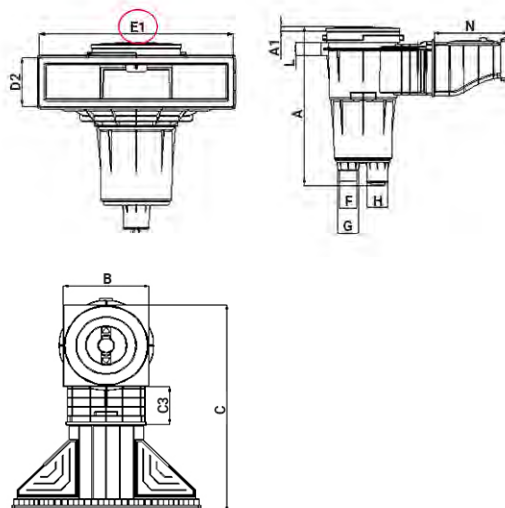


Dimensions/Drawings



Smart Skimmer High75, ABS

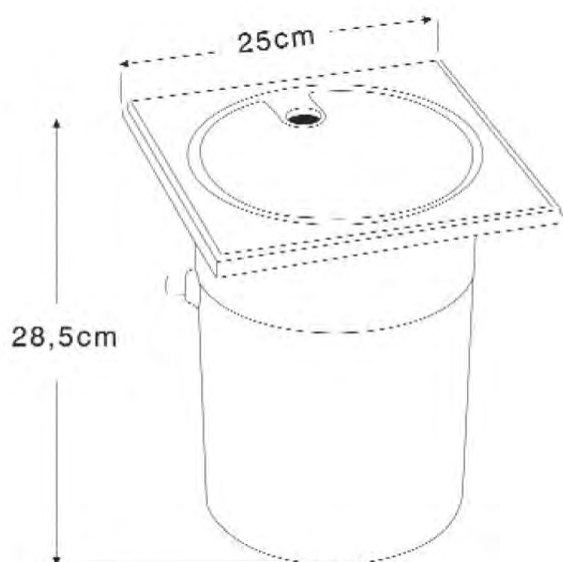
Prod.No.
78491 white
78515 black



Smart Skimmer High50 white ABS

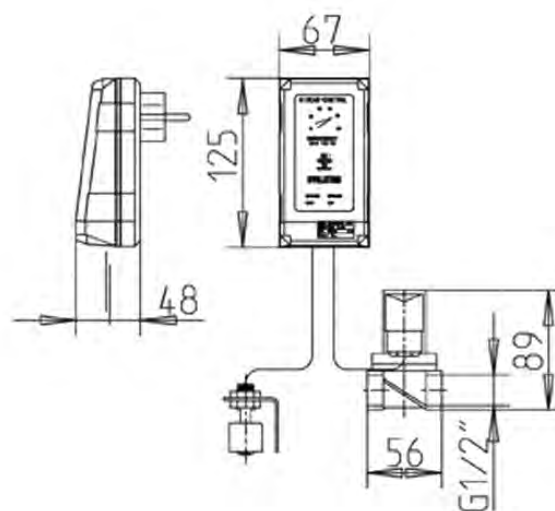
Prod.No.
7300488 white. ABS

A	A1	B	C	C3	D2
483,8	14,5	250,3	634	117,4	142,5
E1	F	G	H	L	N
539,1	60	45	60	32	249,2



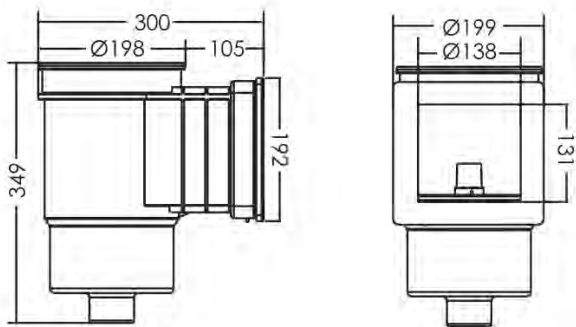
Ocean water regulation system

Prod.No.
78583 white



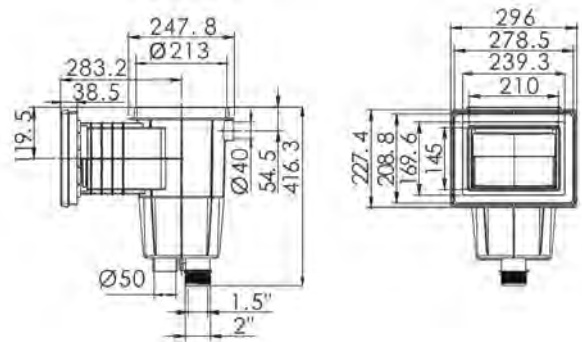
Niveau control NC01

Prod.No.
130293



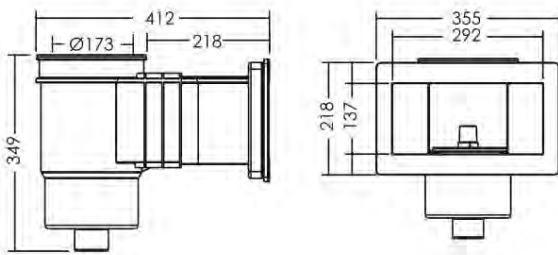
Smart skimmer

Prod.No.
7300028 ABS, white



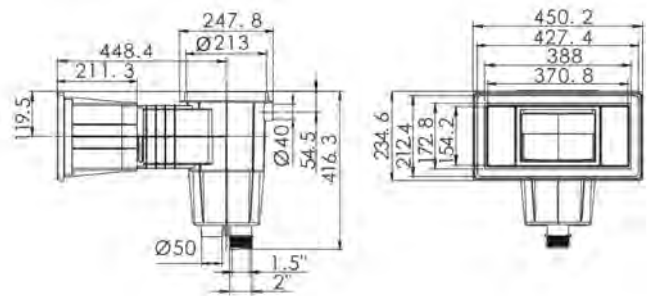
Smart skimmer

Prod.No.
7300030 ABS, white



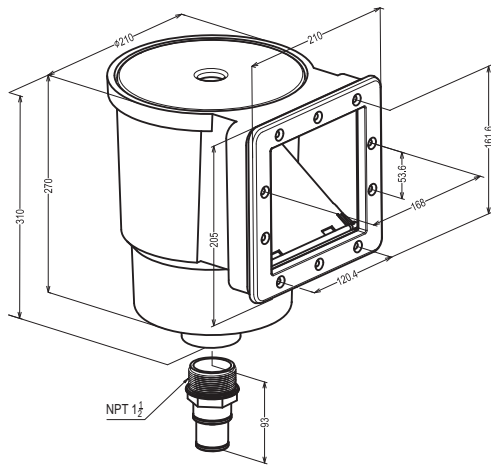
Smart wide mouth skimmer

Prod.No.
7300029 ABS, white



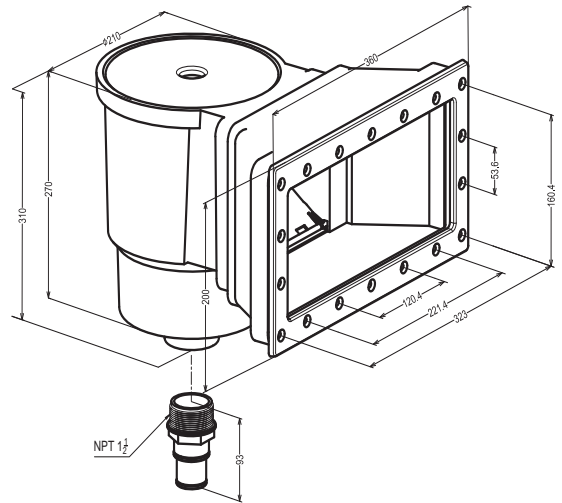
Smart wide mouth skimmer

Prod.No.
7300031 ABS, white



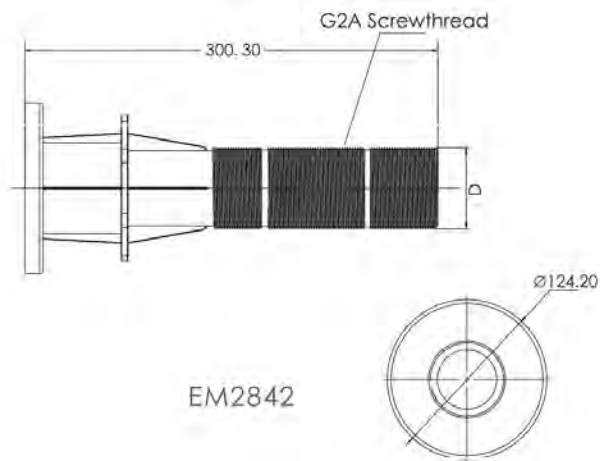
Smart skimmer Mini

Prod.No.
78735 ABS, white



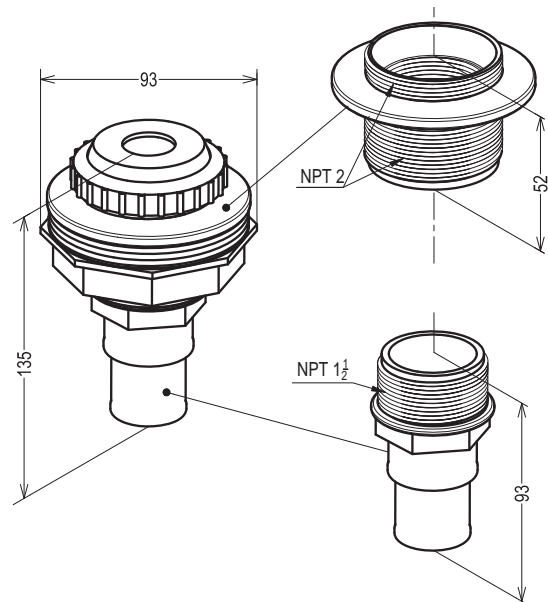
Smart skimmer Maxi

Prod.No.
78736 ABS, white



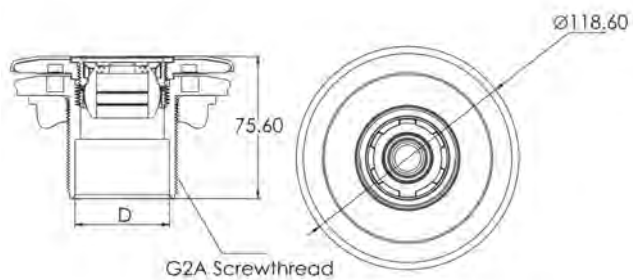
Smart wall conduit

Prod.No.
7300038 ABS, white



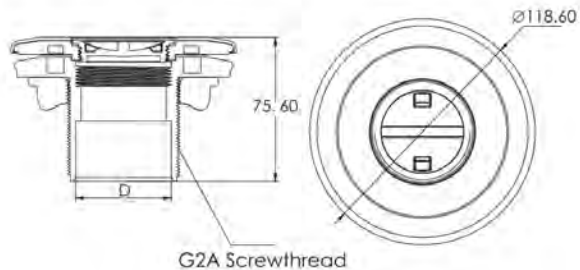
Smart inlet nozzle

Prod.No.
78737 ABS, white



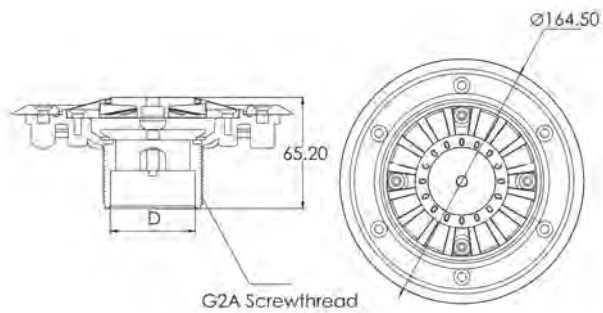
Smart inlet nozzle

Prod.No.
7300034 ABS, white



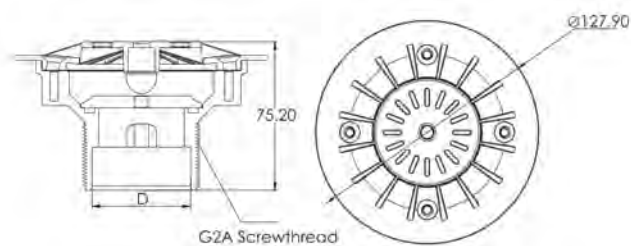
Smart vac nozzle

Prod.No.
7300037 ABS, white



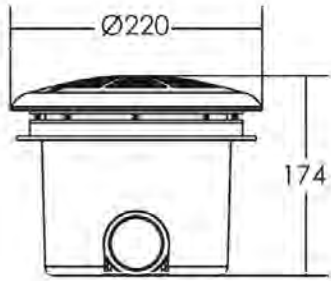
Smart floor inlet nozzle

Prod.No.
7300036 ABS, white



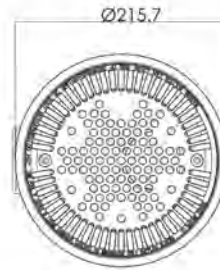
Smart floor inlet nozzle

Prod.No.
7300035 ABS, white



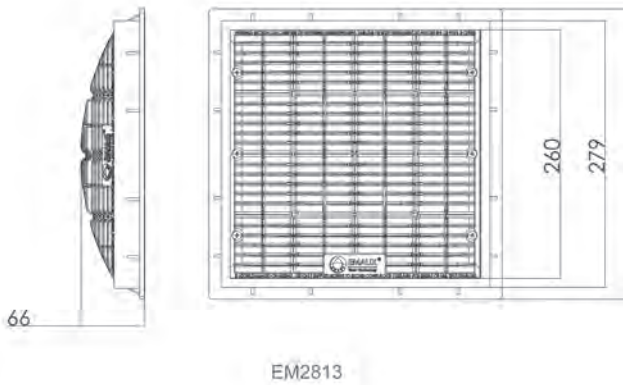
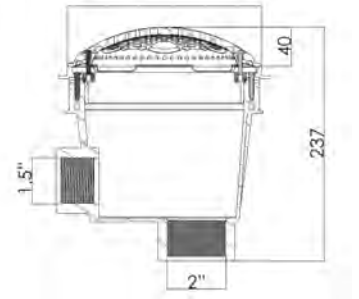
Smart main drain

Prod.No.
7300178 ABS, white



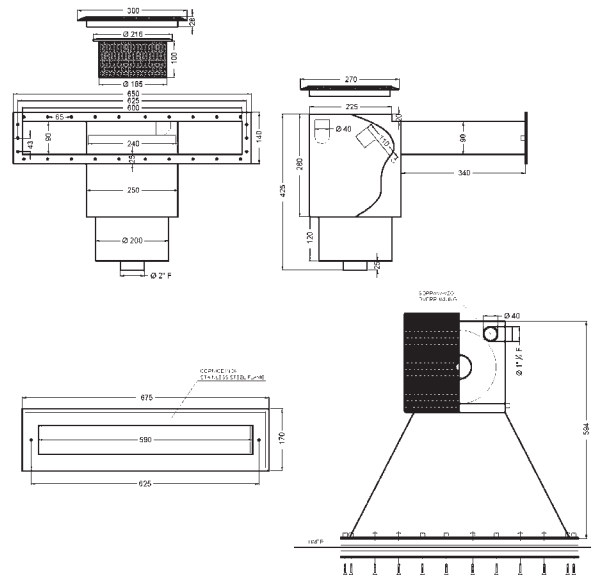
Smart main drain

Prod.No.
7300033 ABS, white



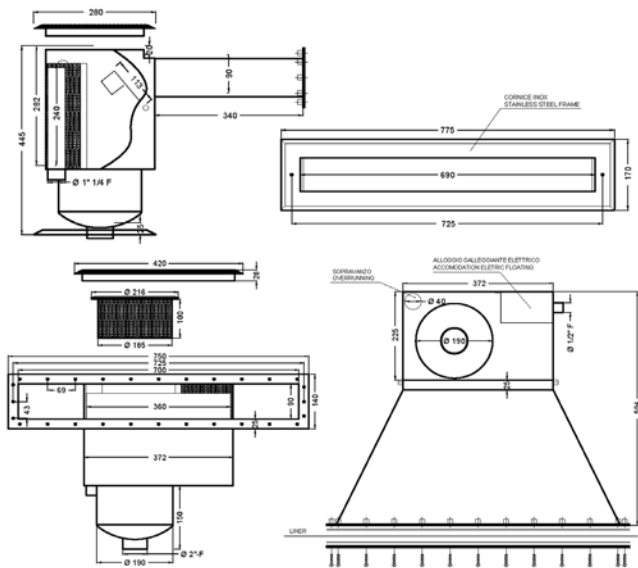
Smart main drain

Prod.No.
7300032 ABS, white



Smart stainless steel skimmer High60

Prod.No.
7300626 concret pools
7300627 concret pools + holder for niveau control
7300628 liner pools
7300629 liner pools + holder for niveau control



Smart stainless steel skimmer High70

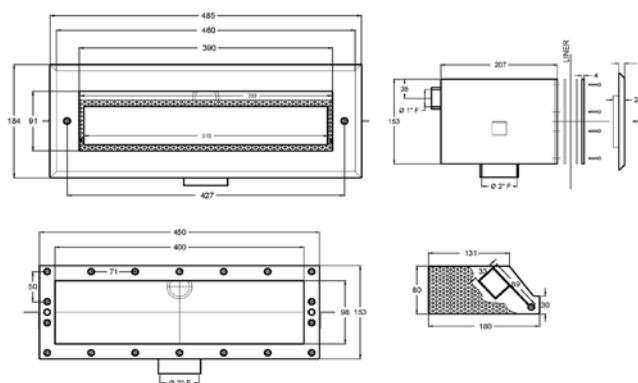
Prod.No.

7300630 Concrete pools

7300631 Concrete pools + Holder for niveau control

7300632 Liner pools

7300633 Liner pools + Holder for niveau control



Smart stainless steel skimmer High40 with basket

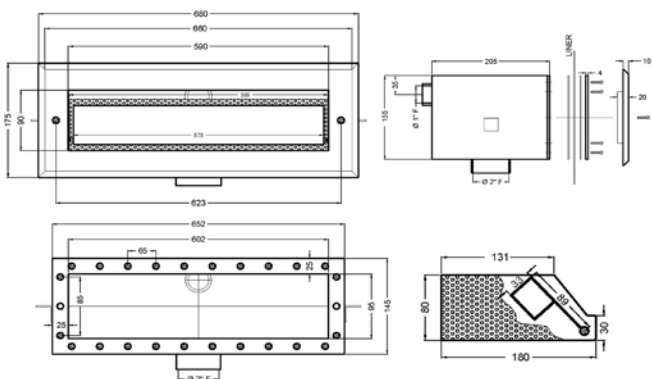
Prod.No.

7300634 Concrete pools

7300635 Concrete pools + Holder for niveau control

7300638 Liner pools

7300639 Liner pools + Holder for niveau control



Smart stainless steel skimmer High60 with basket

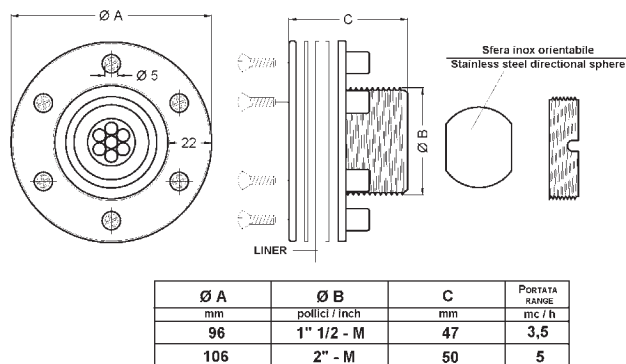
Prod.No.

7300636 Concrete pools

7300637 Concrete pools + Holder for niveau control

7300640 Liner pools

7300641 Liner pools + Holder for niveau control

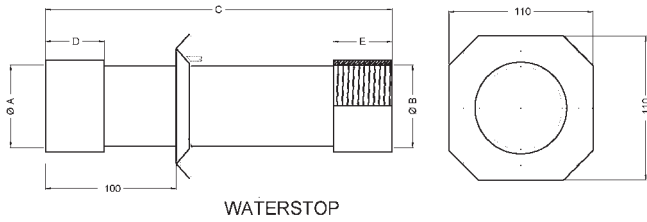


Smart wall conduit stainless steel V4A DIN

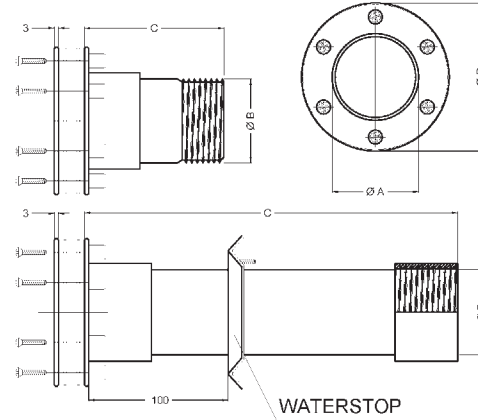
Prod.No.

7300652 Liner pools, 1½"

7300653 Liner pools, 2"



Ø A	Ø B	C	D	E
inch / pollici	inch / pollici	mm	mm	mm
1 1/2" - F	1 1/2" - F	250	25	25
1 1/2" - F	1 1/2" - F	350	25	25
2" - F	2" - F	250	30	30
2" - F	2" - F	350	30	30



Ø A	Ø B	C	Ø D
inch	inch	m	inch
1 1/2" - F	1 1/2" - M	100	91
1 1/2" - F	1 1/2" - F	250	91
2" - F	2" - M	100	102

Smart wall conduit stainless steel V4A with water stop

Prod.No.

7300642 250 mm, 1 1/2"

7300643 350 mm, 1 1/2"

7300644 250 mm, 2"

7300645 350 mm, 2"

Smart wall conduit stainless steel V4A short version for Liner pools

Prod.No.

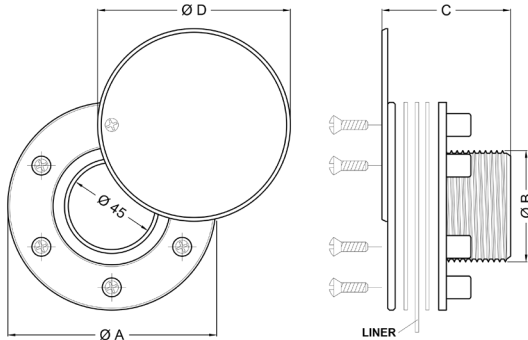
7300646 100 mm, 1 1/2"

7300647 250 mm, 1 1/2"

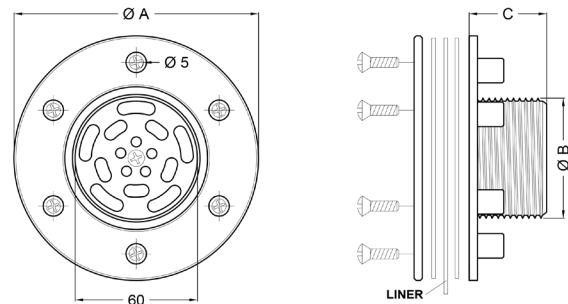
7300648 100 mm, 2"

7300649 250 mm, 2"

Symbol image: Design acc. images at chapter V4A Stainless Steel White Goods



Ø A	Ø B	C	D
mm	pollici / inch	mm	mm
106	2" - M	52	102



Ø A	Ø B	C
mm	pollici / inch	mm
120	2" - M	35

Smart wall suction stainless steel V4A

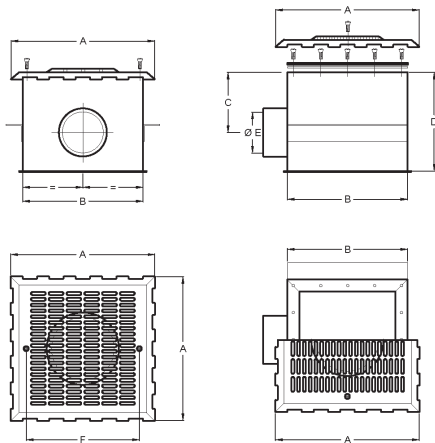
Prod.No.

7300655 Liner pools

Smart floor inlet nozzle stainless steel V4A adjustable

Prod.No.

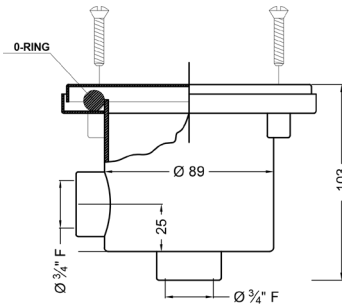
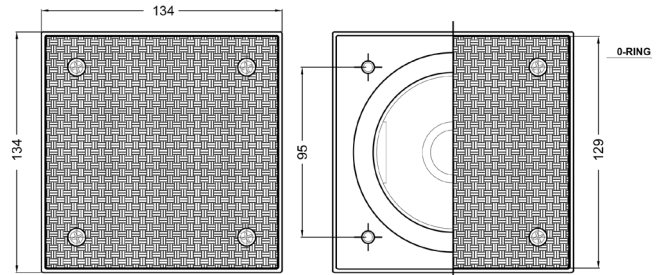
7300657 Liner pools



TIPO TYPE	A	B	C	D	Ø E	F	RANGE
mm	mm	mm	mm	mm	inches / DN	mm	mc / h
200 X 200	250	200	115	170	Ø 2" - F	176	21,71
250 X 250	300	250	150	225	Ø 3" - F	225	37,21

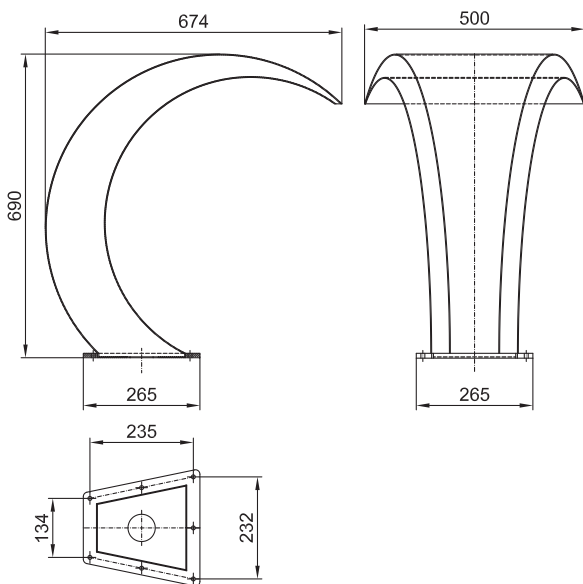
Smart main drain stainless steel V4A

7300659 Liner pools, 200x200 mm
 7300661 Liner pools, 250x250 mm



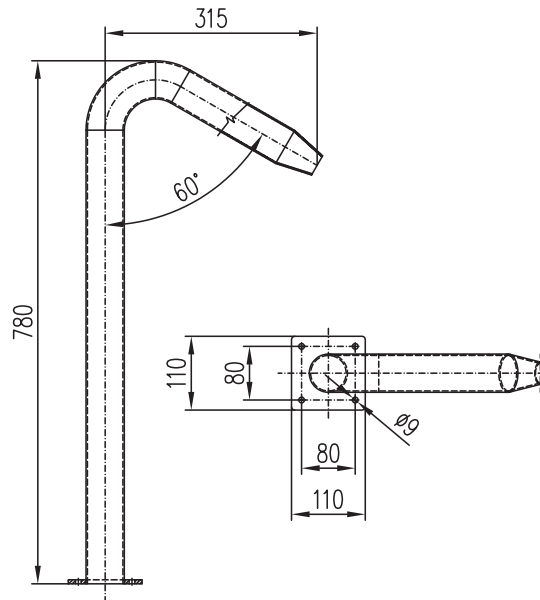
Smart junction box V4A

Prod.No.
 74503



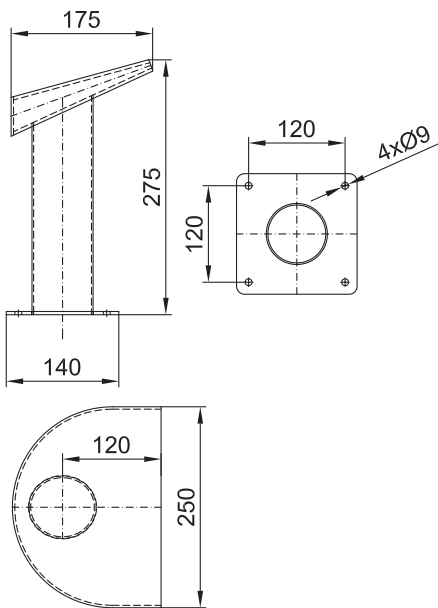
Smart flush shower SNAKE

Prod.No.
 78539 bright finish
 78540 matt



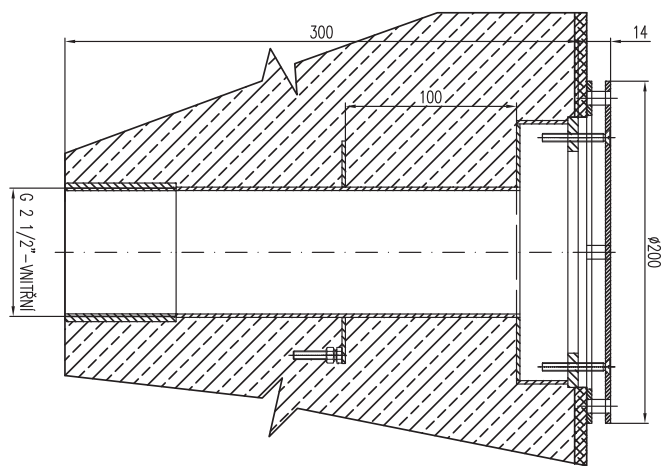
Smart flush shower SAGITTARIUS

78541 bright finish
 78542 matt



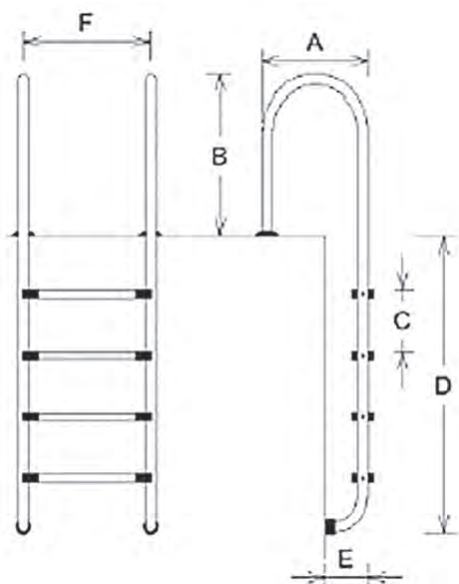
Smart flush shower SCORPIO

Prod.No.
 78543 bright finish
 78544 matt



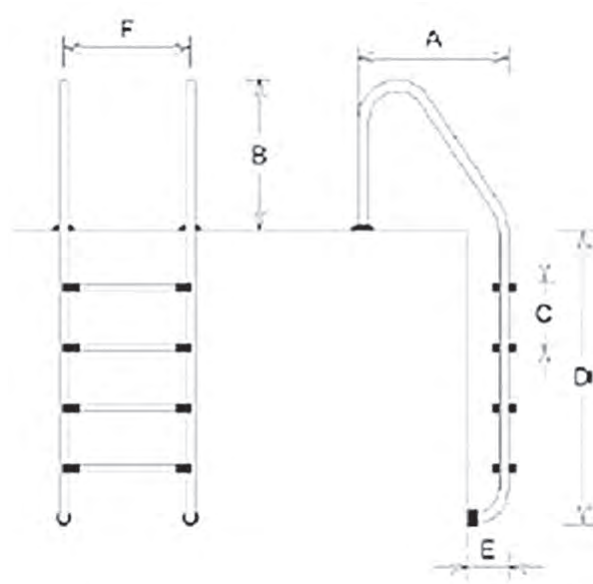
Smart suction system for flush shower

Prod.No.
 78528 bright finish



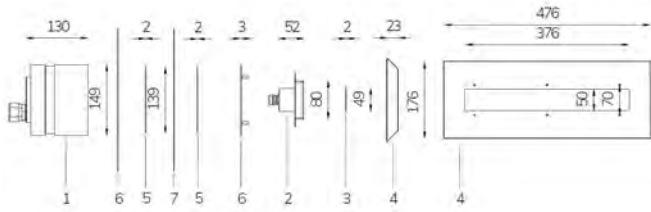
Ocean® stainless steel ladder MURO deluxe

Type	A	B	C	D	E	F	Pool Height
2 steps	350	620	250	710	180	500	100 cm
3 steps	350	620	250	960	180	500	120 cm
4 steps	350	620	250	1210	180	500	150 cm
5 steps	350	620	250	1460	180	500	175 cm



Ocean® stainless steel ladder STANDARD deluxe

Type	A	B	C	D	E	F	Pool Height
2 steps	650	620	250	710	180	500	100 cm
3 steps	650	620	250	960	180	500	120 cm
4 steps	650	620	250	1210	180	500	150 cm
5 steps	650	620	250	1460	180	500	175 cm



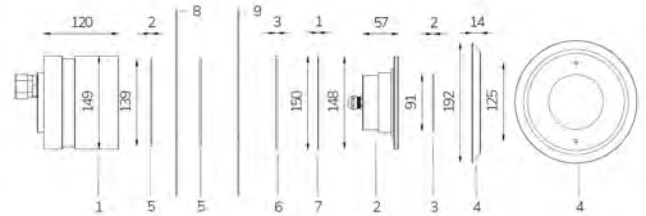
Smart Magic LED under water light

Prod.No.

7300814 white, 4060 lumen

7300817 powerline, 1990 lumen

7300818 RGB DMX, 1990 lumen



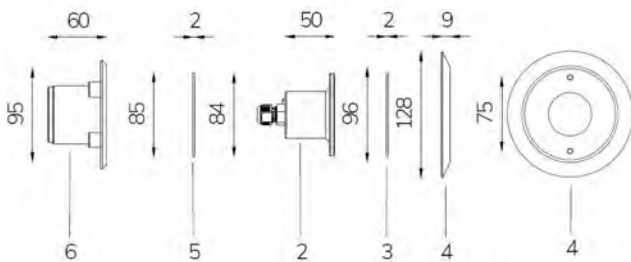
Smart Magic Round 20 LED

Prod.No.

7300816 white, 4330 lumen

7300817 powerline, 2170 lumen

7300818 RGB DMX, 2170 lumen



Smart Magic Round 13 LED

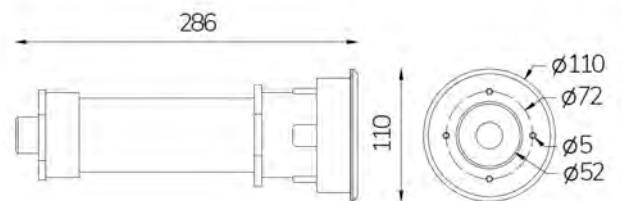
Prod.No.

Prod.No.

7300820 white, 790 Lumen

7300821 powerline, 432 Lumen

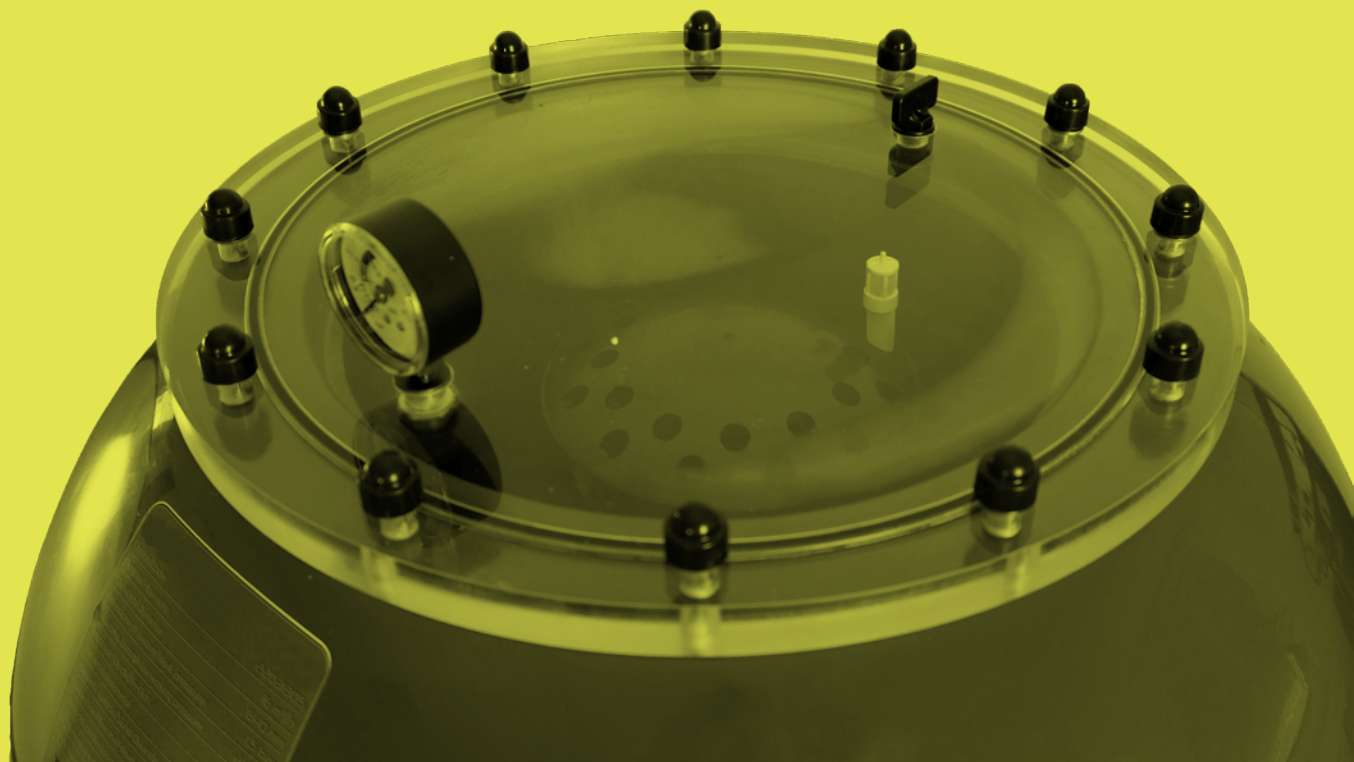
7300822 RGB DMX, 432 Lumen



Wall conduit long for Smart Magic Round 13

Prod.No.

7300823 long version



*Polyester filter BREGENZ II in graphit grey
with extra large, transparent lid Ø 400 mm*

FILTER & FILTER MEDIA

- 110** | Polyester filter (private)
- 117** | Polyester filter (commercial)
- 122** | PPGF filter (side mount)
- 125** | PPGF filter (top mount)
- 127** | Filter glass, filter sand, Anthrasit



THE RESULT MATTERS

CRYSTAL-CLEAR POOL WATER WITH HIGHEST HYGIENE FACTORS



Nature Works

Crystal-clear pool water with the highest hygienic factor through glass filter medium made from the purest, white flat glass with regard to the environment.

- maximum performance for crystal clear, hygienic pool water
- resistant against biofilm and bacteria
- Nature Works is 99.99% free from contamination
- less backwashing due to anti-compaction technology
- maximum lifetime
- economical use of pool chemistry
- recycled flat glass
- JUST ONE granular size for all filter sizes necessary

Product	G-kg	PU	Prod.No.
Smart Nature Works Hi-Tech Filter Media, packing unit =20 kg bag	20.00	50.00	7300372

FILTRATION up to
10 μ

EASY HANDLING 20 kg bags



THAT MAKES NATURE WORKS SO UNIQUE



Maximum performance for crystal clear, hygienic pool water

Removes smallest particles up to 10 μ thanks to special and unique surface calibration. Nature Works glass filter has an exact defined granular size.



Less backwash cycles due to anti-compaction technology

Nature Works relies on anti-compaction technology, so only a single granular size is used. This minimizes the compression and channeling in the glass filter material which means less backwash operations are necessary.



Nature Works is 99,99% free from contamination

How does this work? Nature Works uses exclusively purest white flat glass, so called "original glass" from window production. The certified glass is free from any impurities and stands head and shoulders above other filter medias like sand as well as green/brown glass filter medium from recycled bottle glass."



Resistant against biofilm and bacteria

Thanks to MC2 calibration technology we have an exact defined granular size and special rounded individual glass particles. So you can minimize the propagation of bacteria, the formation of biofilm and save pool chemicals. **In addition, the soft edges protect against injuries, wear of filter inner face, distribution system, liners,...**



Water and Energy savings

Less backwashing and optimal flow values have a positive influence on the water and energy consumption at your pool area. Thereby the investment in Nature Works amortizes within a short time period.



Reuse is the new recycling

Nature Works is recycled pure white flat glass, packed in ecological and tear-proof paper bags, which can be recycled again as well. Thanks to the use of much harder flat glass and the MC2 calibration technology, it shows less wear and convinces with its above-average lifetime cycle..



Less, backwash cycles, maximum lifetime, economical use of pool chemicals, recycled flat glass.

Enough reasons to rely on the efficiency and sustainability of Nature Works? YES. This is proofed by the certified and traceable production and thousands of satisfied users in the private and public pool industry worldwide.



FILTRATION up to
20 μ



Symbol image

Smart glass filter medium

bag 25 kg

SAVING ON BACKWASHING AND THE RESULTANT WATER, ENERGY AND CHEMICAL TREATMENT COSTS

- Its angular to sub-angular particle shape and bound silica content provides a 30% improvement in turbidity removal over silica sand
- It generally removes finer particles from water than the equivalent grade of silica sand
- Its non porous composition means it is less likely to 'clump' or channel than silica sand
- With superior permeability, back washes take less time, saving water/sewer charges, and energy and chemical treatment costs

SMART GLASS FILTER MEDIUM IS CLEANER

It is less susceptible to bio-fouling as, unlike silica sand, GLASS FILTER MEDIUM particles have a smoother surface, so bacteria cannot get trapped in any cracks or flaws, which means less remedial action and again less chemical treatment to destroy pollutants.

Product	G-kg	PU	Prod.No.
Smart glass filter medium step 1: 0,5-1,0 mm, 25 kg bag	25.00	40.00	78345
Smart glass filter medium step 2: 1,0-3,0 mm, 25 kg bag	25.00	40.00	78346
Smart glass filter medium step 3: 3,0-7,0 mm, 25 kg bag	25.00	40.00	78347



Smart filter sand

washed, crushed und fire-dried, acc. to EN 12904, 25 kg, made in Austria

Product	G-kg	PU	Prod.No.
Filter sand 0,7 - 1,25 mm DIN 19623 25 kg	25.00	0.00	78086
Filter sand 1,0 - 2,0 mm DIN 19623 25 kg	25.00	0.00	78087
Filter sand 0,4 - 0,8 mm DIN 19623 25 kg	25.00	0.00	78339
Filter sand 2,0 - 3,0 mm DIN 19623 25 kg	25.00	0.00	78340
Filter sand 3,0 - 5,0 mm DIN 19623 25 kg	25.00	0.00	78341
Filter sand 5,0 - 7,0 mm DIN 19623 25 kg	25.00	0.00	78342



Smart Anthrasit filter medium

Hydro Anthrasit Type H, granulation 1, 0.6-1.6 mm, layer height 600-800 mm, DIN12907/19643

Hydro Anthrasit Type N, granulation 1, 0.6-1.6 mm, layer height 600-800 mm, DIN12909/19643

DVGW documentation W213, packed in robust 50 l bags

Product	G-kg	PU	Prod.No.
Smart Hydro Anthrasit H filter medium, 50 lt. bag EN12907	50.00	20.00	740131
Smart Hydro Anthrasit N filter medium, 50 lt. bag EN12907	50.00	20.00	740132

Smart swimming pool pump E-Pro
whisperingly quiet and up to 90% energy saving

smart

page 134



PUMPS

134 | Smart pumps

WE TALK ABOUT PERFORMANCE

NO FILTRATION WITHOUT A PUMP

The swimming pool pump is the driver in a filter system, it brings the necessary "power" for the filtration process. The right choice of the pump helps to assure an excellent water quality and to plan the system economically and energy-efficiently.

A self-priming pump allows, for example, the processing of air fractions in the water. It is always important

that the pump is filled with water before starting operation.

In addition, during planning, consider the right, frost-proof location, good ventilation and good accessibility for maintenance. Avoid unpleasant noises using anti-vibration feet.

TABLE FOR CHOOSING SMART E.PRO & EUROPRO

for private pools

Dimensions Swimming pool m	Pool size m ³	Flow m ³ /h	Model	
8x4	35 tp 50	9	E.Pro150	Europro 50
8x4 to 10x5	50 to 70	12	E.Pro150	Europro75
10x5 to 12x5	70 to 90	15	E.Pro150	Europro75 Europro100
11x6 to 12x6	90 to 110	18	E.Pro150	Euroswim 100

EXAMPLE FOR THE RIGHT DIMENSIONS OF THE PUMP

Dimensions swimming pool:
 $8 \times 4 \times 1,5\text{m} = 48\text{m}^3$ water

Circulation time at average load:
approx. 5 hours.

means the average flow is:
 $48\text{m}^3 / 5 = 9,6\text{m}^3 / \text{h}$

Now you still have to consider the required total lifting height for the system, that is the sum of friction losses (e.g. in all fittings), height differences, filter resistance, etc.

Using a diagram for the delivery height you choose the pump so that the pump characteristic line is located over the operating point of the pool site.





Smart swimming pool pump E.Pro
stepless regulation, up to 90% energy saving, whisperingly quiet

page 134

smart



SMART SWIMMING POOL PUMP E.PRO

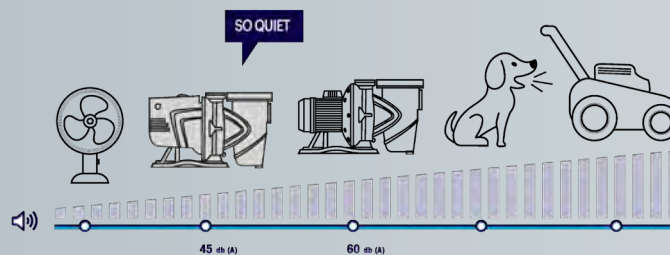
The function of the filter pump can be compared with the heart in the human body. It drives the filtering process and also regulates the speed of the filtering process.

Pool water comes to the pump via the skimmer. Through a pre-filter for rough impurities the water will be forwarded to the filter body at a defined speed, where it is finely filtered.

The most important factor of a swimming pool pump are the right performance related to the pool size, compactness and energy efficiency. Also an essential factor is the noise development during runtime.

NEW

With around 45 db (A), our new Smart E.Pro is a particularly quiet one, please have a look at below noise level comparison.

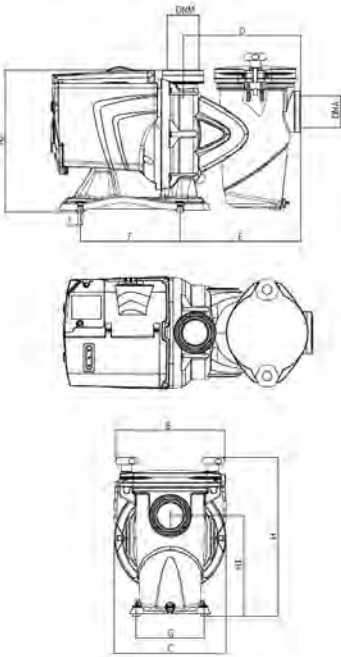


Smart pumps



STEPLESS	EXTRA QUIET
UP TO 90% ENERGY SAVING	< 30 M³/H UP TO 15,4 m
WATER COOLED	4% SALT WATER RESISTANT

E.Pro 300 for large private and public pools are already in finalization. Please contact us for availability for your project.



Smart swimming pool pump E.Pro

APPLICATIONS

E.Pro is a quiet and most energy efficient electric swimming pool pump with integrated high capacity basket. E.Pro combines state-of-the-art hydraulic engineering parts, frequency converter technology and high-efficiency permanent magnet motor (with its innovative water-cooled motor). With these properties, the speed can be adjusted, which enables high energy efficiency. Extremely quiet and very reliable, developed for water circulation and filtration in home and building swimming pools. Also suitable for specific applications e.g. in fisheries, agriculture and industry.

CONSTRUCTION

Transparent, antioxidant cover of the filter for optimal insight. Fiberglass reinforced technopolymer hydraulics in order to have a completely isolated motor shaft from the pumped fluid. Carbon / Alumina / NBR / AISI316 mechanical seal, filling screws that can be removed and reassembled without tools.

E.Pro is provided with a synchronous permanent magnet motor controlled by a frequency converter. The engine is water cooled (no engine fan) and runs extremely quiet. Aluminum housing with special coating to avoid oxidation. Support foot with rubber feet to reduce vibration.

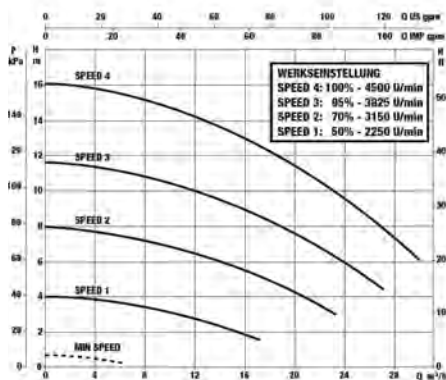
HIGHLIGHTS

- low noise: new water cooled engine
- high efficiency: thanks to the new engine, new hydraulics, new electronic engine control.
- Design: modern and compact
- Reliable: all components are designed for a long service life
- fewer models: one model includes the power of 4 pumps (0.33 kW, 0.5 kW, 0.75 kW, 1.1 kW)

TECHNICAL DETAILS

Prod.No.	7300445										
Current voltage 50/60 Hz	230 V, single-phase										
P1 max	1250 W										
P2 rated output	1,1 kw, 1,5 PS										
In	5,6 A										
Noise level max. (A)	45 db										
DNA/DNM	2"										
Delivery height	16 m										
Net weight	19 kg										
Dimensions cm	A	B	C	D	E	F	G	H	H1	H2	I
	550	242	245	259	266	220	150	351	217	309	11

Product	G-kg	PU	Prod.No.
Swimming pool pump E.Pro 150, variable speed, self-priming, female thread 2", 27m ³ /h at 15,4m, 230V, P1 - 1,25kW, P2 - 1,1kW, with large pre-filter	20.60	1.00	7300445
E.Pro 150 data cable	1.15	1.00	7300489



CHARACTERISTICS E.PRO



DESIGN

Technological solution that combines aesthetic elements with robust materials and high resistance to corrosion and oxidation.



INTEGRATED PRE-FILTER

High capacity strainer basket, with easy to remove cover and simply to pull out and cleaning filter.



SYNCHRONOUS PERMANENT MAGNET MOTOR

The new synchronous permanent magnet motor, defines a new reference point in the market in terms of efficiency and reliability.



WATER COOLING

Motor cooled by the pumped water, which allows the elimination of the fan having a more compact product that can be installed in small poorly ventilated spaces.



Symbol image without toggle screws



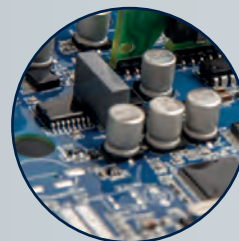
USER CONTROL PANEL

Intuitive interface panel for immediate control of the pump and programming according to any needs. High resolution LCD display



ANTI-FIBRATION FEET

Basement that guarantees stability by reducing vibration thanks to integrated rubber feet.



VARIABLE SPEED

Frequency converter electronic board that allows to work with variable speed or variable flow to optimize performance and minimize power consumption without the use of sensors.



HYDRAULIC PARTS

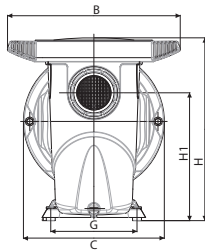
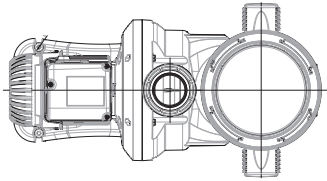
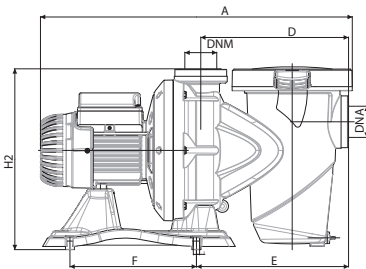
Equipped with impeller and volute, designed specifically to improve / optimize the hydraulic efficiency.



Smart swimming pool pump Europro

self-priming high-performance centrifugal pump with integrated pre-filter. Fully watertight motor, extremely quiet and very reliable, designed for the circulation and filtration of water in domestic and public swimming pools.

< 40 M³/H at 10 m	COMPACT DESIGN
IP 55 STANDARD	2" IG CONNECTION



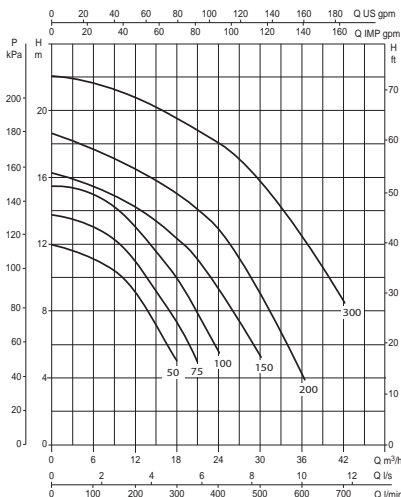
TECHNICAL DETAILS

Prod.No.	Current Voltage 50 Hz	P1 max. W	P2 kW - PS	In A	Condenser µF - Vc	Noise level max db	Gross weight kg
7300446	1x220-240V	900	0,33 - 0,5	4,2	16 - 450	53	11,1
7300447	1x220-240V	1000	0,5 - 0,75	5	20 - 450	56	12,1
7300452	3x230-400V	950	0,5 - 0,75	3,5 / 2	/ - /	56	12,1
7300448	1x220-240V	1300	0,75 - 1	6,3	25 - 450	57	13,8
7300453	3x230-400V	1200	0,75 - 1	4 / 4,2	/ - /	57	13,8
7300449	1x220-240V	1600	1,1 - 1,5	7	31,5 - 450	59	16,7
7300454	3x230-400V	1500	1,1 - 1,5	5 / 2,9	/ - /	59	16,7
7300450	1x220-240V	1900	1,5 - 2	8,6	40 - 450	62	20
7300455	3x230-400V	1900	1,2 - 2	6 / 3,5	/ - /	62	17,6
7300451	1x220-240V	2800	2,2 - 3	12	40 - 450	64	23,9
7300456	3x230-400V	2800	2,2 - 3	8,7 / 5	/ - /	64	19,9

DIMENSIONS

Prod.No.	A	B	C	D	R	F	G	H	H1	H2	I	L	DNA DNM
7300446	536	242	245	257	265	220	150	351	222	314	11	6,5	G2"
7300447	552	242	245	257	265	220	150	351	222	314	11	6,5	G2"
7300452	552	242	245	257	265	220	150	351	222	314	11	6,5	G2"
7300448	552	242	245	257	265	220	150	351	222	314	11	6,5	G2"
7300453	552	242	245	257	265	220	150	351	222	314	11	6,5	G2"
7300449	574	250	290	267	274	220	150	387	258	350	11	6,5	G2"
7300454	574	250	290	267	274	220	150	387	258	350	11	6,5	G2"
7300450	648	250	290	267	274	220	150	387	258	350	11	6,5	G2"
7300455	648	250	290	267	274	220	150	387	258	350	11	6,5	G2"
7300451	648	252	290	267	274	220	150	387	258	350	11	6,5	G2"
7300456	648	252	290	267	274	220	150	387	258	350	11	6,5	G2"

Product	G-kg	PU	Prod.No.
Swimming pool pump Europro 50M, self-priming, female thread 2", 11m ³ /h at 10m, 230V, P1 - 0,9kW, P2 - 0,33kW, with large pre-filter	11.10	1.00	7300446
Swimming pool pump Europro 75M, self-priming, female thread 2", 14m ³ /h at 10m, 230V, P1 - 1,0kW, P2 - 0,5kW, with large pre-filter	12.10	1.00	7300447
Swimming pool pump Europro 100M, self-priming, female thread 2", 16m ³ /h at 10m, 230V, P1 - 1,3kW, P2 - 0,75kW, with large pre-filter	13.80	1.00	7300448
Swimming pool pump Europro 150M, self-priming, female thread 2", 23m ³ /h at 10m, 230V, P1 - 1,6kW, P2 - 1,1kW, with large pre-filter	16.70	1.00	7300449
Swimming pool pump Europro 200M, self-priming, female thread 2", 30m ³ /h at 10m, 230V, P1 - 1,9kW, P2 - 1,5kW, with large pre-filter	20.00	1.00	7300450
Swimming pool pump Europro 300M, self-priming, female thread 2", 38m ³ /h at 10m, 230V, P1 - 2,8kW, P2 - 2,2kW, with large pre-filter	23.90	1.00	7300451
Swimming pool pump Europro 75T IE3, self-priming, female thread 2", 14m ³ /h at 10m, 230V, P1 - 1,3kW, P2 - 0,75kW, with large pre-filter	12.10	1.00	7300452
Swimming pool pump Europro 100T IE3, self-priming, female thread 2", 16m ³ /h at 10m, 400V, P1 - 1,2kW, P2 - 0,75kW, with large pre-filter	13.80	1.00	7300453
Swimming pool pump Europro 150T IE3, self-priming, female thread 2", 23m ³ /h at 10m, 400V, P1 - 1,5kW, P2 - 1,1kW, with large pre-filter	16.70	1.00	7300454
Swimming pool pump Europro 200T IE3, self-priming, female thread 2", 30m ³ /h at 10m, 400V, P1 - 1,9kW, P2 - 1,5kW, with large pre-filter	17.60	1.00	7300455
Swimming pool pump Europro 300T IE3, self-priming, female thread 2", 38m ³ /h at 10m, 400V, P1 - 2,8kW, P2 - 2,2kW, with large pre-filter	19.90	1.00	7300456





6-15,3 M³/H
at 10 m

D50
CONNECTION

Smart filter pump series M

self priming, solvent socket d50/female thread 1½", 230 V with prefilter

APPLICATION

Electrical self priming pump for pools with large pre-filter, which, together with its excellent hydraulic performance, gives a very large filtering capacity. A filter with transparent, polycarbonate lid that easily allows inspection of the interior of the pre-filter sieve. No possible electrical contact with the water as no part of the motor is in open to it.

MATERIAL

Pump body, lid and diffuser in polypropylene, resistant to the chemical products in the pools and reinforced with glass fibre, guaranteeing excellent duration. Shaft in stainless steel AISI316. Noryl impeller. Transparent lid in polycarbonate. Support base in aluminium. Mechanical seal in carbon-ceramic and stainless steel AISI316. Bolts in AISI304. The pump allows two possible connections: Female thread 1½", Connection for PVC pipe d50 to glue

MOTOR

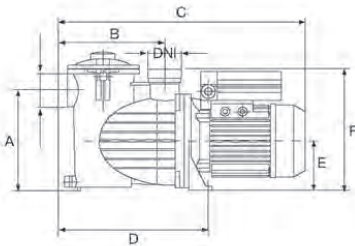
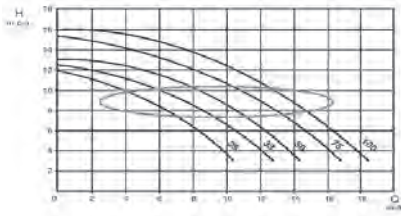
Asynchronous motor, sealed from external ventilation. Protection IP55. 2,850 rpm, 50 Hz (on request 60 Hz). Class F insulation. Motor bearings greased for life and selected to ensure long duration and silent working.

TECHNICAL DETAILS

Pump	P2 (kW)	P1 (kW)	Cond. µF	DNA/DNI	Net Kg.	Gross Kg.
M25 M	0,16	0,29	20	1½"	10	11,6
M33 M	0,25	0,38	20	1½"	10	11,6
M50 M	0,37	0,57	20	1½"	10	11,6
M75 M	0,55	0,88	20	1½"	11	12,6
M100 M	0,70	1,06	20	1½"	11	12,6

DIMENSIONS

Pump	A	B	C	D	E	F	G	H	I	J	L	A	H
M25	191	205	470	285	95	233	140	180	265	197	630	230	360
M33	191	205	470	285	95	233	140	180	265	197	630	230	360
M50	191	205	470	285	95	233	140	180	265	197	630	230	360
M75 (12 m ³ /h)	191	205	470	285	95	233	140	180	265	197	630	230	360
M100	191	205	470	285	95	233	140	180	265	197	630	230	360



Pre-filter integrated

Product	G-kg	PU	Prod.No.
Swimming pool pump M25 self-priming solvent socket-female thread d50-1 1/2" 6m ³ /h 230V with pre-filter	11.60	1.00	77590
Swimming pool pump M33 self-priming solvent socket-female thread d50-1 1/2" 8m ³ /h 230V with pre-filter	11.60	1.00	77591
Swimming pool pump M50 self-priming solvent socket-female thread d50-1 1/2" 10 m ³ /h 230V with pre-filter	11.60	1.00	77592
Swimming pool pump M75 self-priming solvent socket-female thread d50-1 1/2" 12,5 m ³ /h 230V with pre-filter	12.60	1.00	77594
Swimming pool pump M100 self-priming solvent socket-female thread d50-1 1/2" 15,3 m ³ /h 230V with pre-filter	12.60	1.00	77595
Swimming pool pump M25 self-priming solvent socket-female thread d50-1 1/2" 4m ³ /h 400V 0,16 kW, 0,25 HP	11.60	1.00	77590a
Swimming pool pump M33 self-priming solvent socket-female thread d50-1 1/2" 6m ³ /h 400V 0,25 kW, 0,33 HP	11.60	1.00	77591a
Swimming pool pump M50 self-priming solvent socket-female thread d50-1 1/2" 8m ³ /h 400V 0,33 kW, 0,5 HP	11.60	1.00	77592a
Swimming pool pump M75 self-priming solvent socket-female thread d50-1 1/2" 10 m ³ /h 400V 0,55 kW, 0,75 HP	12.60	1.00	77594a
Swimming pool pump M100 self-priming solvent socket-female thread d50-1 1/2" 14m ³ /h 400V 0,75 kW, 1 HP	12.60	1.00	77595a



Smart filter pump series W

self priming, 2", 230 V

APPLICATION

Electrical self priming pump for pools with large pre-filter, which, together with its excellent hydraulic performance, gives a very large filtering capacity. A filter with transparent, poly-carbonate lid that easily allows inspection of the interior of the pre-filter sieve. No possible electrical contact with the water as no part of the motor is in open to it.

MATERIAL

Pump body, lid, base and diffuser and opening key in polypropylene, resistant to the chemical products in the pools and reinforced with glass fibre, guaranteeing excellent duration. Shaft in stainless steel AISI316. Noryl impeller. Mechanical seal in carbon-ceramic, on request: silicon carbide/tungsten carbon / AISI316. Bolts in AISI304 stainless steel. Intake and outlet connection 2".

MOTOR

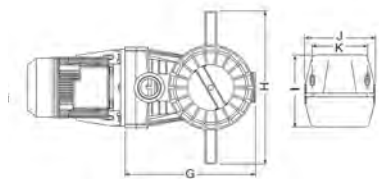
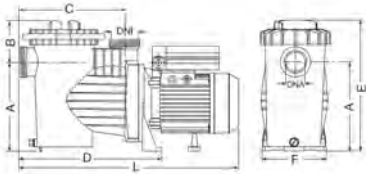
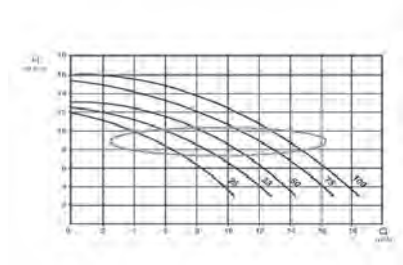
Asynchronous motor, sealed from external ventilation. Protection IP55. 2.850 rpm, 50 - 60Hz Class F insulation. Motor bearings greased for life and selected to ensure long duration and silent working.

11,1-29 M³/H
at 10 m

D63
CONNECTION

LARGE
SCREW CAP

LARGE
PRE-FILTER



TECHNICAL DETAILS

Pump	P2 (kW)	P1 (kW)	Cond. µF	DNA/DNI	Net Kg.	Gross Kg.
W50 M	0,37	0,57	20	2"	11	12,6
W50 T	0,37	0,56	0	2"	11	12,6
W75 M	0,55	0,8	20	2"	11,4	13
W75 T	0,55	0,77	0	2"	11,4	13
W100 M	0,75	1,06	25	2"	13	14,6
W100 T	0,75	1,03	0	2"	13	14,6
W150 M	1,1	1,51	30	2"	15,8	17,6
W150 T	1,1	1,49	0	2"	15,8	17,6
W200 M	1,5	2	40	2"	18,4	20
W200 T	1,5	2	0	2"	18,4	20
W300 M	2,2	2,78	40	2"	21	22,6
W300 T	2,2	2,75	0	2"	21	22,6

DIMENSIONS

Pump	A	B	C	D	E	F	G	H	I	J	L	A	H
												packaging	
W50	216	109	265	370	325	206	325	400	220	205	550	230	360
W75	216	109	265	370	325	206	325	400	220	205	550	230	360
W100	216	109	265	370	325	206	325	400	220	205	550	230	360
W150	216	109	265	370	325	206	325	400	220	205	580	230	360
W200	216	109	265	370	325	206	325	400	220	205	580	230	360
W300	216	109	265	370	325	206	325	400	220	205	630	230	360

Product	G-kg	PU	Prod.No.
Swimming pool pump W50 self-priming 2" 230V P1 0,57 kW, P2 0,37 kW	12.60	1.00	77964
Swimming pool pump W75 self-priming 2" 230V P1 0,80 kW, P2 0,55 kW	13.00	1.00	77957
Swimming pool pump W100 self-priming 2" 230V P1 1,06 kW, P2 0,75 kW	14.60	1.00	77958
Swimming pool pump W100 self-priming 2" 230V P1 1,06 kW, P2 0,75 kW	17.60	1.00	77959
Swimming pool pump W200 self-priming 2" 230V P1 2,0 kW, P2 1,5 kW	20.00	1.00	77960
Swimming pool pump W300 self-priming 2" 230V P1 2,78 kW, P2 2,2 kW	22.60	1.00	77961
Swimming pool pump W50 self-priming 2" 400V P1 0,56kW, P2 0,37kW	12.60	1.00	77964a
Swimming pool pump W75 self-priming 2" 400V P1 0,77 kW, P2 0,55 kW	13.00	1.00	77957a
Swimming pool pump W100 self-priming 2" 400V P1 1,03 kW, P2 0,75 kW	14.60	1.00	77958a
Swimming pool pump W150 self-priming 2" 400V P1 1,49 kW, P2 1,1 kW	17.60	1.00	77959a
Swimming pool pump W200 self-priming 2" 400V P1 2,0 kW, P2 1,5 kW	20.00	1.00	77960a
Swimming pool pump W300 self-priming 2" 400V P1 2,75 kW, P2 2,2 kW	22.60	1.00	77961a



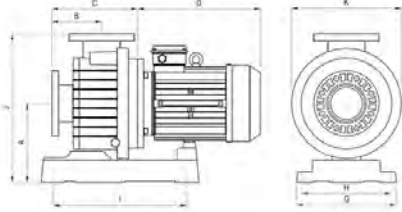
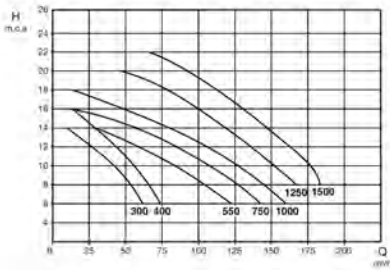
großer integrierter Vorfilter



HIGH
FLOW RATE

FANGE
CONNECTION

JETSTREAM
SUITABLE



Smart filter pump series K

Centrifugal pump, suitable for swim jets

APPLICATION

The pump is designed to move water at a rate sufficient for counter-current swimming, and can also be used in water parks, for fountains, cascades, etc. Features standard connection flanges which together with a broad base make the system extremely robust. Counter-flanges not supplied as standard. Turbine available in 2 versions, Noryl or marine bronze, as per request.

MATERIAL

Pump body, volute, countervolute and cover made of glass fibre-loaded polypropylene resistant to pool chemicals. Mechanical seal in ceramic carbon and AISI-316 stainless steel (also for use with sea water) Screws and shaft stainless steel AISI-316

MOTOR

Asynchronous motor with external ventilation. Protection grade IP-55. Class F insulation. Double frequency (50 and 60 Hz). Motor bearings greased for life to ensure long and silent operation.

TECHNICAL DETAILS

Pump	P2 (kW)	P1 (kW)	Net Kg.	Gross Kg.
K300	2,2	2,72	36	37,5
K400	3	3,63	37	39,5
K550	4	4,75	47	48,5
K750	5,5	6,42	59,5	61
K1000	7,5	8,62	69,5	71
K1250	9,2	10,45	78	79,5
K1500	11	12,44	79	80,5

DIMENSIONS

Pump	A	B	C	D	G	H	I	J	K	A1	H1	L1
	packaging											
K300	265	165	255	310	335	300	450	495	370	385	595	840
K400	265	165	255	310	335	300	450	495	370	385	595	840
K550	265	165	255	330	335	300	450	495	370	385	595	840
K750	265	165	255	380	335	300	450	495	370	385	595	840
K1000	265	165	255	380	335	300	450	495	370	385	595	840
K1250	265	165	255	380	335	300	450	495	370	385	595	840
K1500	265	165	255	380	335	300	450	495	370	385	595	840

Product	G-kg	PU	Prod.No.
Smart Filter Pump Series K 300 230-400V, 1450 rpm 2,2 kW, 3 HP, 43 m³/h at 10m	37.50	1.00	74471
Smart Filter Pump Series K 400 230-400V, 1450 rpm 3 kW, 4 HP, 56 m³/h at 10m	39.50	1.00	74472
Smart Filter Pump Series K 550 230-400V, 1450 rpm 4 kW, 5,5 HP, 84 m³/h at 10m	48.50	1.00	74473
Smart Filter Pump Series K 750 400-690V, 1450 rpm 5,5 kW, 7,5 HP, 107 m³/h at 10m	61.00	1.00	74474
Smart Filter Pump Series K 1000 400-690V, 1450 rpm 7,5 kW, 10 HP, 126 m³/h at 10m	71.00	1.00	74475
Smart Filter Pump Series K 1250 400-690V, 2850 rpm 9,2 kW, 12,5 HP, 152 m³/h at 10m	79.50	1.00	74476
Smart Filter Pump Series K 1500 400-690V, 2850 rpm 11 kW, 15 HP, 177 m³/h at 10m	80.50	1.00	74477



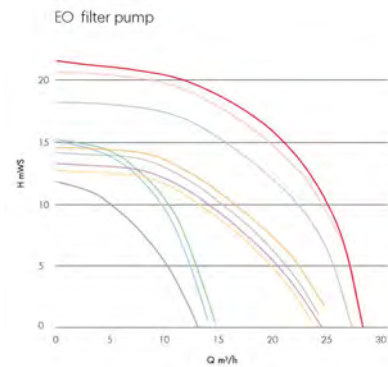
Smart EO swimming pool pump

EO series – the top product, the filter pump for all requirements, indoor and outdoor pools, natural pools and ponds, up to 130 m³
 Reliability for fresh and salt water (3%), best fabrication "made in Germany", delivered with 2 x 2" unions with solvent socket and 4 high-quality rubber-bonded metal buffer, IP55

QUIET	MADE IN AUSTRIA & GERMANY
3% SALT WATER RESISTANT	< 130 M³ POOLS

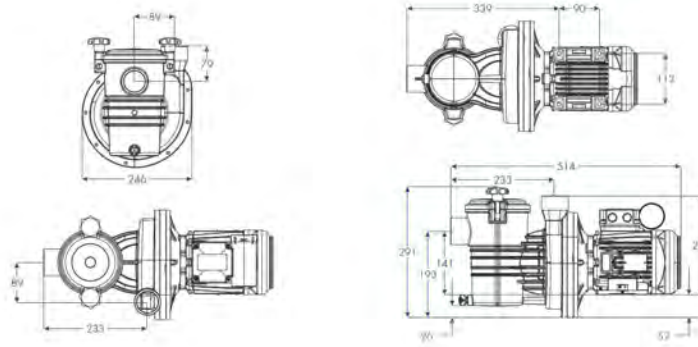
TECHNICAL DETAILS

Typ	Flow rate at 8 mWS	max. delivery height	Connection mm	Current voltage V	P2 kW	Pool size m ³
EO 8-1	8 m ³ /h	12 m	63	230	0,37	45
EO 11-1	11 m ³ /h	15 m	63	230	0,55	60
EO 11-3	11 m ³ /h	15 m	63	400	0,55	60
EO 15-1	15 m ³ /h	13 m	63	230	0,75	90
EO 15-3	16 m ³ /h	13 m	63	400	0,75	90
EO 19-1	18 m ³ /h	14 m	63	230	0,75	110
EO 19-3	19 m ³ /h	14 m	63	400	0,75	110
EO 23-3	23 m ³ /h	18 m	63	400	1,1	120
EO 26-3	26 m ³ /h	21 m	63	400	1,5	130



- EO PM
- EO 26-3
- EO 23-3
- EO 19-1
- EO 19-3
- EO 15-1
- EO 15-3
- EO 11-3
- EO 11-1
- EO 8-1

DIMENSIONS



Product	G-kg	PU	Prod.No.
Smart EO8 swimming pool pump, flow rate 8m ³ /h at 8 m water column, max. head 12 m, P2 motor power 0,37 kW, 230V, monophase, IP55, 2" connection, for pools up to 45 m ³	18.00	1.00	7300068
Smart EO11-1 swimming pool pump, flow rate 11 m ³ /h at 8 m water column, max. head 15 m, P2 motor power 0,55 kW, 230V, monophase, IP55, 2" connection, for pools up to 60 m ³	18.00	1.00	7300069
Smart EO11-3 swimming pool pump, flow rate 11 m ³ /h at 8 m water column, max head 15 m, P2 motor power 0,55 kW, 400V, 3-phase, IP55, 2" connection, for pools up to 60 m ³	18.00	1.00	7300070
Smart EO15-1 swimming pool pump, flow rate 15 m ³ /h at 8 m water column, max. head 13 m, P2 motor power 0,75 kW, 230V, monophase, IP55, IE3 energy efficiency, 2" connection, for pools up to 90 m ³	18.00	1.00	7300071
Smart EO15-3 swimming pool pump, flow rate 16 m ³ /h at 8 m water column, max. head 13 m, P2 motor power 0,75 kW, 400 V, 3-phase, IP55, IE3 energy efficiency, 2" connection, for pools up to 90 m ³	18.00	1.00	7300072
Smart EO19-1 swimming pool pump, flow rate 18 m ³ /h at 8 m water column, max. head 14 m, P2 motor power 0,75 kW, 230V, monophase, IP55, IE3 energy efficiency, 2" connection, for pools up to 110 m ³	18.00	1.00	7300073
Smart EO19-3 swimming pool pump, flow rate 19 m ³ /h at 8 m water column, max. head 14 m, P2 motor power 0,75 kW, 400V, 3-phase, IP55, IE3 energy efficiency, 2" connection, for pools up to 110 m ³	18.00	1.00	7300074
Smart EO23-3 swimming pool pump, flow rate 23 m ³ /h at 8 m water column, max. head 18 m, P2 motor power 1,1 kW, 400V, 3-phase, IP55, IE3 energy efficiency, 2" connection, for pools up to 120 m ³	19.00	1.00	7300075
Smart EO26-3 swimming pool pump, flow rate 26 m ³ /h at 8 m water column, max. head 21 m, P2 motor power 1,5 kW, 400V, 3-phase, IP55, IE3 energy efficiency, 2" connection, for pools up to 130 m ³	19.00	1.00	7300076



**HIGH
FLOW RATE**

**FLANGE
CONNECTION**

**48-175 M³/H
at 10 m**

Smart Power filter pump

Self-priming

APPLICATION

Self-priming pump. High-volume self-priming pump available in 2 and 4 poles versions ideal for larger filter systems. Features large suction-side pre-filter which together with excellent hydraulic performance ensures extremely high filtration capacity. Filter with polycarbonate cover for easy viewing of pre-filter basket content. Features standard connection flanges which together with broad base make the system extremely robust. Turbine available in 2 versions, Noryl or marine bronze, as per request.

MATERIAL

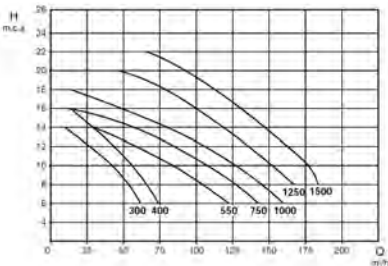
Pre-filter, body, pump body, volute, countervolute and cover made of glass fibre-loaded polypropylene resistant to pool chemicals. Pre-filter basket in polyethylene. Polycarbonate pre-filter cover with four-pin closure system. Noryl impeller. Mechanical seal in ceramic carbon and AISI-316 stainless steel (also for use with sea water) Screws and shaft stainless steel AISI-316 Mechanical seal in ceramic carbon and AISI-316 stainless steel (also for use with sea water) Screws and shaft stainless steel AISI-316

MOTOR

Asynchronous motor with external ventilation. Protection grade IP-55. Class F insulation. Double frequency (50 and 60 Hz). Motor bearings greased for life to ensure long and silent operation.

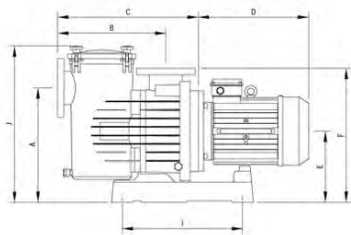
TECHNICAL DETAILS

Pump	P2 (kW)	P1 (kW)	Net Kg.	Gross Kg.
P300	2,2	2,72	40,5	42,5
P400	3	3,63	42,5	44,5
P550	4	4,75	51,4	53,4
P750	5,5	6,42	64	66
P1000	7,5	8,62	74	76
P1250	9,2	10,45	82,5	84,5
P1500	11	12,44	83,5	85,5



DIMENSIONS

	A	B	C	D	E	F	G	H	I	J	K	A1	H1	L1
	packaging													
P300	423	410	525	310	265	500	335	300	450	590	370	385	595	840
P400	423	410	525	310	265	500	335	300	450	590	370	385	595	840
P550	423	410	525	335	265	500	335	300	450	590	370	385	715	1170
P750	423	410	525	380	265	500	335	300	450	590	370	385	715	1170
P1000	423	410	525	380	265	500	335	300	450	590	370	385	715	1170
P1250	423	410	525	380	265	500	335	300	450	590	370	385	715	1170
P1500	423	410	525	380	265	500	335	300	450	590	370	385	715	1170



Product	G-kg	PU	Prod.No.
Smart Power Filter Pump 300 230-400V, 1450 rpm, 2,2 kW, 3 HP, 43 m ³ /h at 10m	42.50	1.00	74464
Smart Power Filter Pump 400 230-400V, 1450 rpm 3 kW, 4 HP, 56 m ³ /h at 10m	44.50	1.00	74465
Smart Power Filter Pump 550 230-400V, 1450 rpm 4 kW, 5,5 HP, 84 m ³ /h at 10m	53.40	1.00	74466
Smart Power Filter Pump 750 400-690V, 1450 U/min 5,5 kW, 7,5 HP, 107 m ³ /h at 10m	66.00	1.00	74467
Smart Power Filter Pump 1000 400-690V, 1450 rpm 7,5 kW, 10 HP, 126 m ³ /h at 10m	76.00	1.00	74468
Smart Power Filter Pump 1250 400-690V, 2850 rpm 9,2 kW, 12,5 HP, 177 m ³ /h at 10m	84.50	1.00	74469
Smart Power Filter Pump 1500 400-690V, 2850 rpm 11 kW, 15 HP, 175 m ³ /h at 10m	85.50	1.00	74470



Smart Inverter Plus heat pump in high-quality V2A stainless steel design with heating and cooling function

page 299

smart

**DESIGNED &
ENGINEERED
IN AUSTRIA**



POOL HEATING & DEHUMIDIFIERS

298 | Heat pumps

304 | PE absorber

305 | Smart heat exchanger

307 | Smart Full Inverter Plus dehumidifier

HEAT PUMPS

Smart heat pumps from Peraqua are air-water heat pumps. The contained refrigerant R32 is warmed up through the sucked-in air from the environment. Afterwards the gas will be compacted by a compressor, the arising heat energy will be exchanged to the pool water through a heat exchanger.

HEAT EXCHANGER

By using heat exchangers an external heating source (e.g. house heating installation) will be integrated into the system. The heat exchanger exchanges the heat to the pool water.

PE ABSORBER

In this system water flows directly through absorber plates / - mats and is heated up accordingly. Because of the direct contact with the swimming pool water it is important to consider the right selection of materials in respect to chemical, thermal and mechanical durability.



CARIBBEAN WARM AND NORTH SEA FRESH POOL WATER



INDIVIDUAL POOL TEMPERATURE WITH SMART HEAT PUMPS AND HEAT EXCHANGERS

Make yourself comfortable, adjust the desired pool water temperature and increase your individual well-being.

High-quality inverter heat pumps with heating and cooling function and Titanium-um heat exchanger extend the bathing season and ensure convenient tempered pool water with an over-average energy saving due to inverter technology.

MODBUS



WiFi capable, the optimal solution for the intelligent pool control by means of free Loxone App and Loxone Aquastar® Air pool control

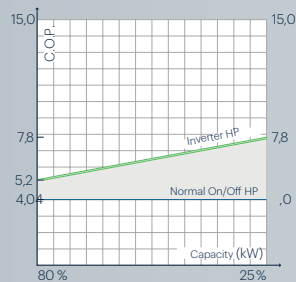
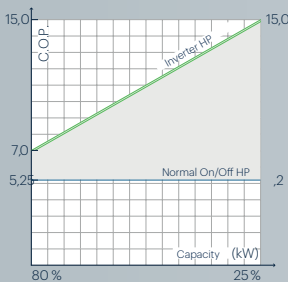
WHY SMART INVERTER TECHNOLOGY?

- 65 % higher COP than Normal ON/OFF HP
- 50% higher COP than Normal Inverter HP

Smart Inverter HP versus Normal On/Off HP (when maintaining pool temperature)

Performance condition:
Air 26 °C | Water 26 °C | Humidity 80%

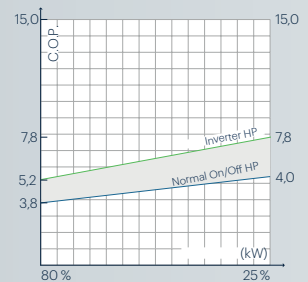
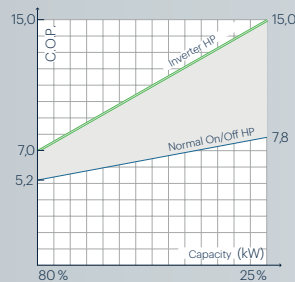
Air 15 °C | Water 26 °C | Humidity 70%



Smart Inverter HP versus Normal Inverter HP (when maintaining pool temperature)

Performance condition:
Air 26 °C | Water 26 °C | Humidity 80%

Air 15 °C | Water 26 °C | Humidity 70%

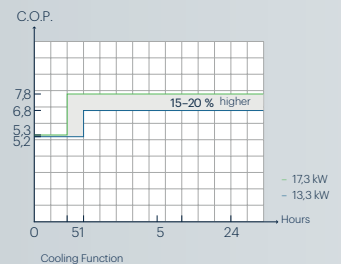
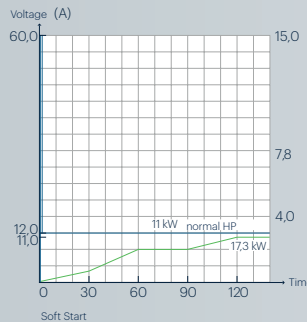


→ 10× times quieter

By integrating super quiet Mitsubishi inverter compressor and variable speed ventilation system, Smart Inverter ensures an operation 10 times quieter than normal heat pumps when maintaining the pool temperature. It's the quietest running heat pump you can find in the market.

→ Soft Start

When Smart Inverter HP turns on, the current will start from 0 A and slowly reach rated current in 2 minutes. Household electricity system will not be affected with a gentle increased current.



→ Designed for air from -7 °C

Smart Inverter HP is designed for air -7°C, which can maximize your pool season.

SMART CHOICE: When choosing a Smart Inverter, a bigger model is recommended so that the heat pump runs at low speed for a longer time with more benefits::

- faster heating
- save more energy
- enjoy longer silent running time


Performance condition:

Air 15 °C | Water 26 °C | Humidity 70%

Maintains 26 °C water temperature for 45 m³ pool

Heat pumps



STEPLESS FULL-INVERTER	NON-CORROSIVE PLASTIC HOUSING
MODBUS	
R32	



Guarantee on compressor and heat exchanger



New Touch Control with integrated WLAN connection for the control via mobile device, free APP

Smart Full Inverter Plus heat pumps, heating & cooling

Inverter heat pumps are equipped with variable speed compressors, depending on the energy demand and the surroundings conditions, the speed of the compressor and fan will be increased or decreased. Therefore this kind of heat pumps do not work on a fixed frequency as other traditional heat pumps do. Big advantages are much higher efficiencies at much lower sound pressures.

ADDITIONAL ADVANTAGES:

10 times quieter, soft start, operation temperature -7°C , quicker heating, higher saving, 65% higher C.O.P as for common on and off heat pump, 7 year guarantee for compressor and heat exchanger incl. integrated WiFi function

PRICES INCL. COVER AND VIBRATION ABSORBER

PRINCIPLE OF EEV TECHNOLOGY

EEV technology is with an electronic expansion valve, which permits very precise and flexible regulation of gas flow to adapt to fluctuations of ambient temperature. The gas flow adjustment range of EEV is 10 times of traditional Tx-valve/capillary designs. As a result, it improves the C.O.P. averagely by 15-20%.

TITAN HEAT EXCHANGER

The heat exchanger is made of high class titanium tube, a stable and non-reactive material which is compatible with water treatment by salt electrolysis.

The internal configuration design guaranteed a high efficiency of the heat pump. 5 years guarantee on heat exchanger.

HOT GAS DEFROSTING

Adopting Japanese SAGINOMIYA 4-way valve, it could defrost automatically and ensure above 0°C operation.

UNIQUE SILVER WELDING

Silver in the welding solder which guarantees a high reliability of gas piping system and prevents the gas leakage.

Detailed manual on request.

TECHNICAL DETAILS

Model	7300714	7300715	7300772	7300716	7300717	7300718	7300719
Recommended pool size (m ³)*	25-45	30-55	35-65	40-75	50-95	65-120	90-160
Operation temperature (°C)	-7-43						
Operation conditions: Air 26°C, Water 26°C, Humidity 80%							
Heat capacity (kW)	10,3	12,8	15,0	17,3	20,4	27,0	35,6
C.O.P	14.5-6.9	15.0-7.4	15.5-6.7	14.8-5.9	14.5-5.7	14.5-6.2	14.6-5.5
COP at 50% speed	10,4	11,0	10,9	10,5	10,2	10,8	10,3
Operation conditions: Air 15°C, Water 26°C, Humidity 70%							
Heat capacity (kW)	7,1	8,3	10,5	11,4	14,0	18,0	24,0
C.O.P	7.3-4.6	7.7-4.8	7.8-4.6	7.5-4.3	7.4-4.2	7.6-4.5	7.7-4.5
COP at 50% speed	6,4	6,8	6,6	6,1	6,1	6,5	6,8
Operation conditions: Air 35°C, Water 28°C, Humidity 80%							
Cooling capacity (kW)	4,5	5,5	6,8	7,7	9,8	12,1	16,4
Sound level 1m dB(A)	38.6-49.9	42.1-50.7	41.3-54.0	43.1-53.8	40.9-54.2	43.5-54.9	42.6-54.7
Sound level at 50% speed 1m dB(A)	43,3	45,7	46,0	46,5	46,4	48,4	45,8
Compressor	Mitsubishi DC Inverter						
Heat Exchanger	Titanium						
Housing	ABS						
Power supply	230V/1 Ph/50Hz				400V/3 Ph/50Hz		
Rated input power at 15°C (kW)	0.19-1.5	0.22-1.73	0.27-2.2	0.3-2.6	0.38-3.3	0.53-3.9	0.62-5.2
Rated current at 15°C (A)	0.83-6.5	0.96-7.52	1.17-9.6	1.3-11.3	1.65-14.3	0.76-5.6	0.89-7.4
Water flow (m ³ /h)	3-4	4-6	5-7	6.5-8.5	8-10	10-12	12-18
Water pipe specification in-out (mm)	50						
Net dimensions LxWxH (mm)	961×340×658	961×340×658	961×340×658	961×420×658	961×420×758	1092×420×958	1161×530×958
Net weight (kg)	49	50	52	63	68	93	120
Gas (g)	750	800	900	1000	1200	2000	2700
GWP	675						
CO ₂ Equivalent (tonne)	0,506	0,540	0,608	0,675	0,810	1,350	1,823



Product	G-kg	PU	Prod.No.
Smart Full Inverter Plus heat pumps, heating & cooling			
Smart Full Inverter Plus heat pump H+C 10,3kW, anthracite, refrigerant R32	49.00	1.00	7300714
Smart Full Inverter Plus heat pump H+C 12,8kW, anthracite, refrigerant R32	50.00	1.00	7300715
Smart Full Inverter Plus heat pump H+C 15,0kW, anthracite, refrigerant R32	52.00	1.00	7300772
Smart Full Inverter Plus heat pump H+C 17,3kW, anthracite, refrigerant R32	63.00	1.00	7300716
Smart Full Inverter Plus heat pump H+C 20,4kW, anthracite, refrigerant R32	68.00	1.00	7300717
Smart Full Inverter Plus heat pump H+C 27,0kW 3Ph., anthracite, refrigerant R32	93.00	1.00	7300718
Smart Full Inverter Plus heat pump H+C 35,6kW 3Ph., anthracite, refrigerant R32	120.00	1.00	7300719
COVERS			
Cover for 69,5 and 10,3 kW heat pump	0.69	1.00	74780
Cover for 12,5 and 12,8 kW heat pump	0.78	1.00	74782
Cover for 15,0, 16,5 and 17,3 kW heat pump	0.70	1.00	74783
Cover for 20,4 and 27,0 kW heat pump	0.80	1.00	74784
Cover for 35,6 kW heat pump	1.00	1.00	74786
VIBRATION ABSORBER			
Vibration absorber (4 pcs = 1 set)	0.77	4.00	74745



Smart Full Inverter Plus heat pumps, heating & cooling, stainless steel

same heat pumps as on previous page, but with high-quality V2A body. This design-highlight in our Smart Inverter heat pump series.

Product	G-kg	PU	Prod.No.
Smart Full Inverter Plus heat pump H+C 12,8kW, V2A, refrigerant R32	55.00	1.00	7300782
Smart Full Inverter Plus heat pump H+C 17,3kW, V2A, refrigerant R32	70.00	1.00	7300783
Smart Full Inverter Plus heat pump H+C 20,4kW, V2A, refrigerant R32	74.00	1.00	7300784

STEPLESS
FULL-INVERTER

NON-CORROSIVE
PLASTIC HOUSING

MODBUS

R32



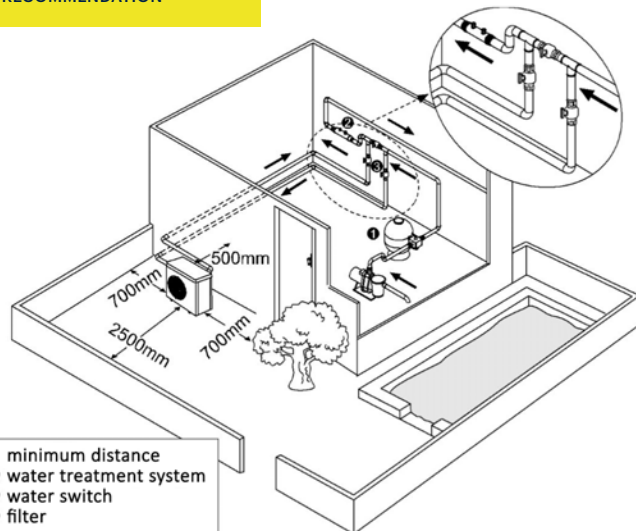
Guarantee on compressor and heat exchanger



New Touch Control with integrated WLAN connection for the control via mobile device, free APP



POSITION RECOMMENDATION





VARNISHED ALUMINIUM-HOUSING

3-STEPS ECO-INVERTER

R32



Guarantee on compressor and heat exchanger



New Touch control

Optional with WIFI connection for smart control via mobile device for retrofit, free Loxone App



NOTE

Covers and vibration absorbers are already included in delivery.#



Model Prod.No. 7300704 and 7300706 incl. integrated plug and 2,5 m cable.

Smart ECO Inverter heat pump heating & cooling

Smart inverter heat pumps are equipped with compressores working in three speeds. Speed is reduced or increased in connection of power supply requirement and environmental conditions and is not working at a fixed frequency as traditional heat pumps are working at. This inverter heat pump distinguishes itself by higher efficiency at lower noise level.

TECHNICAL DETAILS

Model	7300704	7300706	7300707	7300708	7300709
Recommended pool size (m³)*	15-30	20-40	30-40	35-65	45-80
Operation temperature (°C)	0-43				
Operation conditions: Air 26°C, Water 26°C, Humidity 80%					
Heat capacity (kW)	6,5	9,0	12,5	16,0	20,0
C.O.P	10.3-6.6	10.6-6.8	11.6-7.0	11.2-7.1	11.8-6.5
COP at 50% speed	9,3	9,6	10,1	9,7	10,2
Operation conditions: Air 15°C, Water 26°C, Humidity 70%					
Heat capacity (kW)	5,0	6,3	8,5	11,0	14,0
C.O.P	6.0-4.8	6.1-4.5	6.3-4.8	6.4-4.7	6.5-4.6
COP at 50% speed	5,8	5,7	6,1	5,9	6,1
Operation conditions: Air 35°C, Water 28°C, Humidity 80%					
Cooling capacity (kW)	2,5	3,1	4,6	5,6	7,8
Sound level 1m dB(A)	38.8-50.2	40.6-52.5	42.9-53.0	45.2-56.3	45.3-57.1
Sound level bei 10m dB(A)	18.8-30.2	20.6-32.5	22.9-33.0	25.2-36.3	25.3-37.1
Sound level at 50% speed 1m dB(A)	42,8	45,8	48,5	48,7	49,6
Heat exchanger	Titanium				
Housing	ABS				
Power supply	230V/1 Ph/50Hz				
Rated input power at 15°C (kW)	0.29-1.04	0.36-1.40	0.47-1.78	0.59-2.34	0.75-3.04
Rated current at 15°C (A)	1.26-4.52	1.57-6.09	2.02-7.74	2.52-10.17	3.26-13.21
Water flow (m³/h)	2-4	3-4	4-6	6.5-8.5	8-10
Water pipe specification in-out (mm)	50				
Net dimensions LxWxH (mm)	744x359x648	864x359x648	864x359x648	954x359x648	954x359x748
Net weight (kg)	42	46	49	60	68

Product	G-kg	PU	Prod.No.
Smart ECO Inverter heat pump heating & cooling			
Smart ECO Inverter heat pump H+C 6,5kW, grey, refrigerant R32	42.00	1.00	7300704
Smart ECO Inverter heat pump H+C 9,0kW, grey, refrigerant R32	46.00	1.00	7300706
Smart ECO Inverter heat pump H+C 12,5kW, grey, refrigerant R32	49.00	1.00	7300707
Smart ECO Inverter heat pump H+C 16,0kW, grey, refrigerant R32	60.00	1.00	7300708
Smart ECO Inverter heat pump H+C 20,0W, grey, refrigerant R32	68.00	1.00	7300709
COVERS			
Cover for 9,0 and 10,3 kW heat pump	0.69	1.00	74780
Cover for 6,5 heat pump	0.52	1.00	74781
Cover for 12,5 and 12,8 kW heat pump	0.78	1.00	74782
Cover for 15,0, 16,0 and 17,3 kW heat pump	0.70	1.00	74783
Cover for 20,4 and 27,0 kW heat pump	0.80	1.00	74784
VIBRATION ABSORBER			
Vibration absorber (4 pcs = 1 set)	0.77	4.00	74745
WIFI Module			
WIFI module for smart inverter heat pump ECO, heating & cooling	0.00	1.00	7300846



VARNISHED
ALUMINIUM-
HOUSING



STEPPLESS
FULL-INVERTER

Smart Full Inverter Plus heat pump commercial

high capacity heat pump with inverter technology for commercial pools. Please get in contact with us for your project.

TECHNICAL DETAILS

Model	7300720	7300721
Recommended pool size (m ³)*	130-260	260-520
Operation temperature (°C)	-7-43	
Operation conditions: Air 26°C, Water 26°C, Humidity 80%		
Heat capacity (kW)	59,6	109,0
COP at 50% speed	10,0	9,8
Operation conditions: Air 15°C, Water 26°C, Humidity 70%		
Heat capacity (kW)	39,4	80,5
COP at 50% speed	6,7	6,6
Operation conditions: Air 35°C, Water 28°C, Humidity 80%		
Cooling capacity (kW)	26,2	53,7
Sound level at 1m dB(A)	54.0-62.0	56.0-65.0
Sound level at 10m dB(A)	34.0-42.0	36.0-45.0
Sound level at 50% speed 1m dB(A)	56,0	58,0
Compressor	DC-Inverter	
Heat Exchanger	Titanium	
Housing	Aluminium	
Power supply	230V/1 Ph/50Hz	
Rated input power at 15°C (kW)	2.20-8.03	4.69-17.9
Rated current at 15°C (A)	3.17-11.59	6.77-25.8
Max. current (A)	20	40
Circuit breaker (A)	25,0	48,0
Water flow (m ³ /h)	20-25	40-50
Water pipe specification in-out (mm)	75	110
Net dimensions LxWxH (mm)	1000x1110x1260	2100x1090x1280
Net weight (kg)	212	459
Gas (g)	5500	11000
GWP	2088	
CO2 Equivalent (tonne)	11,48	22,97

Product	G-kg	PU	Prod.No.
Smart Inverter Plus heat pump H+C 60,0kW 3Ph., refrigerant R410A	212.00	1.00	7300720
Smart Inverter Plus heat pump H+C 110,0kW 3Ph., refrigerant R410A	459.00	1.00	7300721



VARNISHED ALUMINIUM-HOUSING	BOOST FUNCTION
STEPLESS FULL-INVERTER	

up to 20% higher heat capacity compared with normal operation
 Boost Mode controllable with a bottom at the new touch display



New Touch Control with integrated WLAN connection for the control via mobile device, free APP

Smart Full Inverter Plus heat pump, heating & cooling, vertical

Inverter technology heat pumps with vertical blow-out for projects where the required minimum horizontal blow-off distance can not be met.

TECHNICAL DETAILS

Model	7300724	7300725	7300726
Recommended pool size (m ²)*	35-65	40-75	50-95
Operation temperature (°C)	-7-43		
Operation conditions: Air 26°C, Water 26°C, Humidity 80%			
Heat capacity (kW)	13,3	17	21,9
Heat capacity (kW) in Boost Mode	16,0	20,4	26,3
COP	13.9-7.1	14.3-6.7	14.0-6.3
COP in Boost Mode	6,2	5,9	5,8
COP at 50% speed	11,0	11,1	10,9
Operation conditions: Air 15°C, Water 26°C, Humidity 70%			
Heat capacity (kW)	9,7	12,5	16,0
Heat capacity (kW) in Boost Mode	11,7	15	19,0
COP	7.0-5.1	7.1-4.8	7.1-4.7
COP in Boost Mode	4,7	4,5	4,4
COP at 50% speed	6,4	6,4	6,2
Operation conditions: Air 35°C, Water 28°C, Humidity 70%			
Cooling capacity (kW)	7,3	8,4	11,2
Sound level 1m dB(A)	41.5-55.2	43.3-53.9	41.0-54.4
Sound level at 50% speed 1m dB(A)	46,6	46,5	46,6
Heat exchanger	Titanium		
Housing	Aluminium		
Power supply	230V/1 Ph/50Hz		
Rated input power at 15°C (kW)	0.34-2.45	0.42-3.19	0.55-4.32
Rated current at 15°C (A)	1.48-10.7	1.83-13.9	2.40-18.8
Rated Water flow (m ³ /h)	5-7	6.5-8.5	8-10
Water pipe specification in-out (mm)	50		
Net dimensions LxWxH (mm)	776x687x656	776x687x656	776x687x755
Net weight (kg)	65	72	88
Gas (g)	900	1200	2000
GWP	675		
CO2 Equivalent (tonne)	0,608	0,81	1,35

Product	G-kg	PU	Prod.No.
Smart Inverter Plus heat pump H+C 13,3kW vertical, grey, refrigerant R32	65.00	1.00	7300724
Smart Inverter Plus heat pump H+C 17,3kW vertical, grey, refrigerant R32	72.00	1.00	7300725
Smart Inverter Plus heat pump H+C 20,8kW vertical, grey, refrigerant R32	88.00	1.00	7300726

THINK BIGGER



BIGGER & MORE ECO-FRIENDLY

When integrating a heat pump in a pool area we recommend a stronger model. Why?

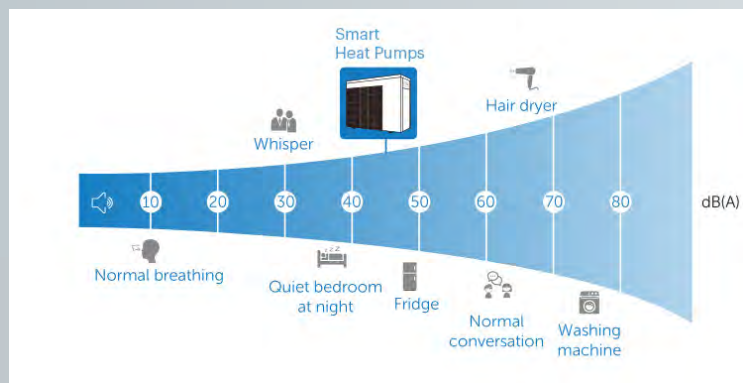
The reason for a stronger model is the operation at a lower speed with following advantages :



Audibly quieter sound level and more silent swimming pool surrounding



Higher energy savings due to less required power intake.



WHAT'S R32?

Our new smart heat pumps with inverter technology are filled with R32 now. It is a newer refrigerant, which is transporting the heat even more effectively and above all has one-third less impact on global warming potential (GWP).

Because R32 transports thermal energy much more effectively, it is used in smaller amounts and therefore saves the environment.

For you, this forward-looking technology means maximum comfort using minimum energy consumption.

PE absorber



Incl. integrated collector pipe



Incl. 4 connection pipes



Incl. integrated collector pipe both sides



PVC Flex hose, black
Prod.No. 740085

Solar absorber

For heating of the pool water

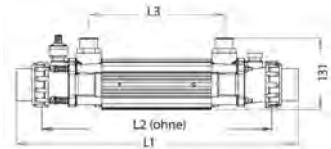
- Low pressure loss
- High efficiency
- Absolute frost-proof
- Completely walkable
- Easy installation
- TÜV-tested

TECHNICAL DATA

- Material: HDPE
- Pressure loss ca. 0.003 bar at 200 l/h/m²
- Flow rate: 150–250 l/m²/h
- Weight: approx. 6 kg/m² – water volume: 6 l/m²
- Test pressure: 4.5 bar
- Operation pressure: bis 1.2 bar bei 40 °C
- Efficiency: up to approx. 85 %
- Capacity: up to 0.85 kWh/m²
- Temperature resistant at idle running: from -50 °C up to +115 °C
- Pipe: Ø 40 mm

Product	G-kg	PU	Prod.No.
Solar absorber Ocean®PE black with integrated collector pipe 40 mm, 1320 x 820 mm	6.63	70.00	75754
Solar absorber Ocean®PE black with 4 connection pipe 25 mm, 1280 x 820 mm	6.47	100.00	75755
Solar absorber Ocean®PE black with collector pipe, both sides mit Sammelrohr beiderseitig 40 mm	6.70	50.00	75756
Connection hose Ocean®38 x 5 x 60 mm with 2 stainless steel hose clamps	0.01	100.00	75757
Connection hose Ocean®25 x 3 x 70 mm with 2 stainless steel hose clamps	0.01	100.00	75758
Fixing bar for solar absorber universal suitable for all roof tiles, V2A 1 mm, length: 500mm, width: 20/12 mm	0.20	1.00	76876
Perforated tape for solar absorber zinc coated 12 x 1mm l=10m roll	0.10	10.00	76877
Air vent 3/8"	0.11	1.00	76884
Drain valve brass 1/2"	0.07	1.00	76885

Smart heat exchanger



Smart titanium heat exchanger

Outstanding features are a densely packed tubular bundle in a thermally insulated primary chamber. The small volume of the chamber and large surface area of the internal tubing provides superb heat transfer efficiency and minimal energy loss. The shell is made of AISI 316L (V4A) (EN 1.4432) stainless steel and enclosed by a rigid thermal casing made of aluminium. A plastic filling in between guarantees optimal isolation and best possible efficiency. The Smart heat exchanger can be installed in the opposite way as well (primary <-> secondary side) in case of eg. low flow.

TECHNICAL DATA

- Water connection primary circuit: 1" BSP female thread (1" male/male brass thread adapter incl.)
- Water connection secondary circuit: 1 1/2"/50 mm solvent connection
- Incl. 2 x 1" male brass double nipple, 1 x blanking cap for changing tube, 1 x brass non-return valve 1" female
- Material primary side: titanium
- Material secondary side: AISI 316L (V4A) (EN 1.4432) stainless steel

Capacity	L1	L2	L3	P max.
30 kW	540	426	247	4 bar
49 kW	710	596	417	4 bar
85 kW	840	726	547	4 bar
122 kW	1000	886	707	4 bar

Product	G-kg	PU	Prod.No.
Smart Titanium tubular heat exchanger 30 kW	3.91	1.00	740084
Smart Titanium tubular heat exchanger 49 kW	4.50	1.00	740085
Smart Titanium tubular heat exchanger 85 kW	5.10	1.00	740086
Smart Titanium tubular heat exchanger 122 kW	6.00	1.00	740087



Smart titanium touch screen heating control

Easy for control for each Smart titanium heat exchanger, incl. flowmeter and temperature sensor

EQUIPMENT

- Digital touch screen
- Ready for BMS (building management system) integration
- "Priority heating", meaning treatment at perfect pool temperature
- 24 hours programmable
- Exact temperature control adjustment up to 0.5° C
- Diagnosis display
- Supplied with 1 m flow switch and 1 m NTC temperature sensor

Product	G-kg	PU	Prod.No.
Smart touch screen digital controller	5.70	1.00	7300258

Standard Power Output	Primary (HOT) Flow (m³/h)	Primary (HOT) Head Loss (kPa)	Secondary (POOL) Flow (m³/h)	Secondary (POOL) Head Loss (kPa)	ΔT 15°C (kW)	ΔT 20°C (kW)	ΔT 30°C (kW)	ΔT 40°C (kW)	ΔT 50°C (kW)	ΔT 60°C (kW)	ΔT 70°C (kW)
30-kW	1.1	6.1	10	5.0	9	11	16	20	26	30	33
30-kW	1.3	6.8	10	5.0	10	13	18	23	31	34	39
30-kW	1.3	6.8	14	7.0	11	15	20	26	34	41	46
49-kW	1.6	7.7	16	9.2	13	18	25	34	41	50	56
49-kW	1.8	8.3	16	9.2	14	20	28	38	45	55	62
49-kW	2.2	9.6	17	9.8	16	22	33	44	52	64	73
85-kW	2.4	11.3	17	10.6	22	28	40	53	64	75	81
85-kW	2.7	12.9	17	10.6	26	32	46	60	73	82	89
85-kW	3.2	14.7	17	10.6	28	34	49	64	77	90	102
122-kW	3.8	18.3	19	12.6	33	43	68	75	93	108	120
122-kW	4.2	20.0	19	12.6	36	48	70	89	108	126	143
122-kW	4.6	21.1	19	12.6	38	52	73	95	116	137	156

Smart EVO titanium electric heating



Unique and proven coiled heating element technology, whereby a turbulent vortex is created in the water flow, prevents the build up of mineral deposits on the heating element. Guarantees a steadily high efficiency and longer life cycle of the heating.

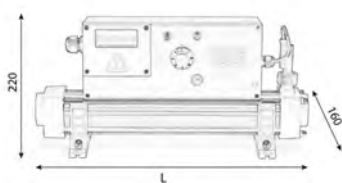
- Analogue control thermostat
- Titan flow pipe
- Suitable for in-ground, above-ground and splasher pools (incl. wall mounting)
- Temperature control and safety thermal cut out due to manual reset button
- Accuracy to 1°C with analogue control

TECHNICAL DATA

- Heating element: titanium
- Flow pipe: titanium
- Flow data: Minimum: 2 kW to 6 kW – 1 m³/h 9 kW and more – 4 m³/h Recommended: 10 m³/h Maximum: 17 m³/h
- Thermostat: analogue 0 – 40° C
- Safety thermal cut out: 55° C (manual reset)
- Operation pressure: max. 4 bar
- Water connection: 1 1/2" BSP female thread incl. 1 1/2" / 50 mm ABS union and 1 1/2" / 1 1/4" hose nozzles

DIMENSIONS

L = 592 mm,
L = 462 mm for heat pump 1-phase 2kW



Product	G-kg	PU	Prod.No.
Smart Titanium electric swimming pool heating 1-phase 2 kW	3.08	1.00	740090
Smart Titanium electric swimming pool heating 1-phase 3 kW	3.08	1.00	740091
Smart Titanium electric swimming pool heating 1-phase 4,5 kW	3.08	1.00	740092
Smart Titanium electric swimming pool heating 1-phase 6 kW	3.08	1.00	740093
Smart Titanium electric swimming pool heating 1-phase 9 kW	4.50	1.00	740094
Smart Titanium electric swimming pool heating 1-phase 12 kW	4.50	1.00	740095
Smart Titanium electric swimming pool heating 3-phase 6 kW	3.08	1.00	740098
Smart Titanium electric swimming pool heating 1-phase 15 kW	4.50	1.00	740096
Smart Titanium electric swimming pool heating 3-phase 9 kW	4.50	1.00	740099
Smart Titanium electric swimming pool heating 3-phase 12 kW	3.08	1.00	740100
Smart Titanium electric swimming pool heating 3-phase 15 kW	3.00	1.00	740101
Smart Titanium electric swimming pool heating 1-phase 18 kW	0.00	1.00	740097
Smart Titanium electric swimming pool heating 3-phase 18 kW	3.08	1.00	740102
Smart Titanium electric swimming pool heating 3-phase 24 kW	3.08	1.00	740103

Smart Full Inverter Plus dehumidifier



**ENERGY
SAVING**

STEPLESS
FULL-INVERTER

**EXTRA
QUIET**

V2A FRONT
&
PLASTIC HOUSING

Smart Full Inverter Plus dehumidifier

- high energy-saving potential due to inverter technology
- extremely low noise operation
- flexible installation
- output 48, 72, 96 l/24h
- classy design

TECHNICAL DETAILS

Model	7300727	7300728	7300729
Recommended pool surface (m ²)*	<20	<30	<40
Usage at air temperature °C	10 – 38 °C		
Capacity (l/h) (Air 30 °C / Humidity 80%)	2,0	3,0	4,0
DER (l/h.kW) (Air 30°C / Humidity 80%)	4,52-2,80	4,53-2,85	4,50-2,75
Heat recovered (kW)	2,4	3,3	4,4
Optional electric heating (kW)	2,0	2,0	2,0
Rated input power (kW)	0.11-0.71	0.17-1.05	0.22-1.45
Rated current (A)	0.48-3.09	0.74-4.57	0.96-6.30
Max. Power supply (A)	5,5	7,5	9,5
Circuit breaker (A)	8.0	10.0	13.0
Power corde (mm ²)	3x1.5	3x2.5	3x4
Power supply	230V/1 Ph/50Hz		
Sound level 1m dB(A)	35.3-45.6	35.6-46.1	35.9-46.4
Sound level at 50% speed 1m dB(A)	38.2	40.1	40.3
Air flow (m ³ /H)	600	800	1000
Net dimensions LxWxH (mm)	855×286×860	855×286×860	1155×286×860
Net weight (kg)	52	55	70

Product	G-kg	PU	Prod.No.
Smart Inverter Plus dehumidifier 48L, 1Ph., refrigerant R32	67.00	1.00	7300727
Smart Inverter Plus dehumidifier 72L, 1Ph., refrigerant R32	72.00	1.00	7300728
Smart Inverter Plus dehumidifier 96L, 1Ph., refrigerant R32	86.00	1.00	7300729



Salt electrolysis, Neolysis
UV pH/Redox, self-cleaning

page 321



MEASURE, CONTROL AND DOSING SYSTEMS

312 | Salt electrolysis systems

323 | Measure and control systems

327 | UV systems

NEW



WATER DESINFECTION WITH **NaCl**

SALT ELECTROLYSIS – HOW IT WORKS

A pool water disinfection by means of salt is not a chlorine-free method. However, the dissolved salt in the water makes the water softer with a smoother feeling on your skin.

One of first steps it to add a defined amount of salt (NaCl) to your pool water. In the cell of the salt electrolysis you generate some Chlorine gas through a slight current flow (= electrolysis), so you convert salt into Chlorine which disinfects your pool water.

The resulting free chlorine destroys all micro-organisms and is therefore a very strong, liquid chlorine-alternative disinfectant.

THE CONTEXT OF CHLORINE AND PH VALUE

A big influence on an effective use of a salt electrolysis system or on a perfect water disinfection has the pH value, which is ideally between 7,2 and 7,4

This value, as well as the chlorine value has to be checked regularly. We therefore recommend to implement an automatic pH regulation as well.

OPTIMAL PERFORMANCE

The optimal performance of saltwater chlorination is based on the correct choice of chlorine production per hour depending on the pool size.

We recommend a salt concentration of at least 2g/l (low salt 1-2g) in order to have an optimal function of the system.

		SWIMMING POOL SIZE M ³							
		25	50	75	100	125	150	175	200
FILTER PERIOD H	4	15 g/h	25 g/h						
	6	10 g/h	20 g/h	25 g/h	35 g/h				
	8	10 g/h	15 g/h	20 g/h	25 g/h	35 g/h	35 g/h		
	10			15 g/h	20 g/h	25 g/h	35 g/h	35 g/h	
	12				20 g/h	25 g/h	25 g/h	35 g/h	35 g/h

If the water exceeds 28°C water temperature on a regular base, choose one higher production level than indicated in the table.

TYPES OVERVIEW

	ECO	ADVANCED-PRO	ADVANCED-PRO LOW SALT	ADVANCED-PRO MAGNESIUM	ADVANCED-PRO PREMIUM-TOUCH
Power supply	230 Vac – 50 Hz / 60 Hz				
Max. cell current	10 A – 35 A	10 A – 35 A	17,5 A – 35 A	15 A – 35 A	3,75 A – 8,75 A
Gr/hour production	10 gr/h – 35 gr/h	10 gr/h – 35 gr/h	15 gr/h – 30 gr/h	15 gr/h – 35 gr/h	15 gr/h – 35 gr/h
Max. power	75 W – 263 W	75 W – 263 W	187,5 W – 385 W	112,5W – 263 W	80,25 W – 187,25 W
Max. cell voltage	7,5 Vcc	7,5 Vcc	7,5 Vcc / 22 Vcc	7,5 Vcc	21,4 V
Salt required	> 2 gr/l	> 2 gr/l	1 – 2 gr/l	> 2 gr/l	> 2 gr/l
Language selection	✓	✓	✓	✓	✓
Manual regulation CL	✓	✓	✓	✓	✓
Automatic regulation CL	✗	✓	✓	✓	✓
Indicator ORP values	✗	✓	✓	✓	✓
Indicator pH values	✗	✓	✓	✓	✓
Automatic Indicator of lack of salt	✓	✓	✓	✓	✓
Automatic Indicator of salt excess	✓	✓	✓	✓	✓
Indicator water temperature	✗	✓	✓	✓	✓
Self-cleaning	✓	✓	✓	✓	✓
Indicator salt level	✗	✓	✓	✓	✓
Indicator cell life	✗	✓	✓	✓	✓
Automatic alarms					
Lack of water flow	✓	✓	✓	✓	✓
Gas accumulation in the cell	✓	✓	✓	✓	✓
Overload	✓	✓	✓	✓	✓
Short circuit	✓	✓	✓	✓	✓
Over temperature	✓	✓	✓	✓	✓
Options					
Sensor Redox ORP Set	✗	✓	✓	✓	✓
Sensor pH Set	✗	✓	✓	✓	✓
Sensor Temperatur Set	✗	✓	✓	✓	✓
Sensor free Chlorine ppm Set	✗	✓	✓	✓	✓
Sensor Water flow Set	✓	✓	✓	✓	✓
Domotic Set	✗	✓	✓	✓	✓



Smart salt electrolysis system ECO

COMPACT SALT WATER ELECTROLYSIS UNIT WITH IP65 HOUSING, 10 - 35 GR FOR PRIVATE POOLS

- Low energy consumption
- low weight
- protection code IP65
- low operation temperature
- compact and easy adaption for each installation
- improved performance with power supply with switching power supply
- longer cell life span
- integrated micro processor control for operation hour analysis

Product	G-kg	PU	Prod.No.
Smart salt electrolysis system ECO 10g Cl/h self cleaning cell for private pools up to 25m3 (pump runtime 8h)	6.00	1.00	7300555
Smart Salzelektrolyseanlage ECO 15g Cl/h selbstreinigende Zelle für privaten Pools bis 50m3 (Pumpenlaufzeit 8h)	6.00	1.00	7300556
Smart salt electrolysis system ECO 20g Cl/h self cleaning cell for private pools up to 75m3 (pump runtime 8h)	6.00	1.00	7300557
Smart salt electrolysis system ECO 25g Cl/h self cleaning cell for private pools up to 100m3 (pump runtime 8h)	6.00	1.00	7300558
Smart salt electrolysis system ECO 35g Cl/h self cleaning cell for private pools up to 125m3 (pump runtime 8h)	6.00	1.00	7300559



Smart salt electrolysis system ADVANCED-PRO

COMPACT SALT ELECTROLYSIS UNIT WITH IP65 HOUSING, WITH DIGITAL DISPLAY, 10 - 35 GR FOR PRIVATE POOLS

- Low energy consumption
- low weight
- protection code IP65
- low operation temperature
- compact and easy adaption for each installation
- improved performance with power supply with switching power supply
- longer cell life span
- integrated micro processor control for operation hour analysis
- digitales display, easy and intuitive handling

Product	G-kg	PU	Prod.No.
Smart salt electrolysis system ADVANCED-PRO 10g Cl/h self cleaning cell for private pools up to 25m3 (pump runtime 8h)	6.00	1.00	7300560
Smart salt electrolysis system ADVANCED-PRO 15g Cl/h self cleaning cell for private pools up to 50m3 (pump runtime 8h)	6.00	1.00	7300561
Smart salt electrolysis system ADVANCED-PRO 20g Cl/h self cleaning cell for private pools up to 75m3 (pump runtime 8h)	6.00	1.00	7300562
Smart salt electrolysis system ADVANCED-PRO 25g Cl/h self cleaning cell for private pools up to 100m3 (pump runtime 8h)	6.00	1.00	7300563
Smart salt electrolysis system ADVANCED-PRO 35g Cl/h self cleaning cell for private pools up to 125m3 (pump runtime 8h)	6.00	1.00	7300564

Accessories such like pH and Redox set on page 315



Accessories such like pH and Redox set on page 315

Smart salt electrolysis system ADVANCED-PRO LOW SALT

COMPACT SALTELECTROLYSIS UNIT WITH IP65 HOUSING, WITH DIGITAL DISPLAY 15 - 30 GR FOR PRIVATE POOLS

Low energy consumption

- low weight
- protection code IP65
- low operation temperature
- compact and easy adaption for each installation
- improved performance with power supply with switching power supply
- longer cell life span
- integrated micro processor control for operation hour analysis
- digitales display, easy and intuitive handling

Product	G-kg	PU	Prod.No.
Smart salt electrolysis system ADVANCED-PRO LOW SALT 15g Cl/h self cleaning cell for private pools up to 50m3 (pump runtime 8h)	6.00	1.00	7300565
Smart salt electrolysis system ADVANCED-PRO LOW SALT 20g Cl/h self cleaning cell for private pools up to 75m3 (pump runtime 8h)	6.00	1.00	7300566
Smart salt electrolysis system ADVANCED-PRO LOW SALT 30g Cl/h self cleaning cell for private pools up to 100m3 (pump runtime 8h)	6.00	1.00	7300567



Accessories such like pH and Redox set on page 315

Smart salt electrolysis system ADVANCED-PRO MAGNESIUM

NEW DEVICE FOR POOL WATER DESINFECTATION WITH MAGNESIUM

Compact salt electrolysis unit with IP65 housing, with digital display, 15, 25 - 30 gr for private pools

Low energy consumption

- low weight
- protection code IP65
- low operation temperature
- compact and easy adaption for each installation
- improved performance with power supply with switching power supply
- longer cell life span
- integrated micro processor control for operation hour analysis
- digitales display, easy and intuitive handling

Product	G-kg	PU	Prod.No.
Smart salt electrolysis system ADVANCED-PRO MAGNESIUM 15g Mg/h self cleaning cell for private pools up to 50m3 (pump runtime 8h)	6.00	1.00	7300568
Smart salt electrolysis system ADVANCED-PRO MAGNESIUM 20g Mg/h self cleaning cell for private pools up to 75m3 (pump runtime 8h)	6.00	1.00	7300569
Smart salt electrolysis system ADVANCED-PRO MAGNESIUM 30g Mg/h self cleaning cell for private pools up to 100m3 (pump runtime 8h)	6.00	1.00	7300570
EMGIPOOL for smart salt electrolysis system ADVANCED- PRO MAGNESIUM, 25kg ba	25.00	1.00	7300618





MAGNESIUM FOR THE SKIN

SALT ELECTROLYSIS SYSTEM WITH MAGNESIUM – THAT'S HOW IT WORKS

The salt electrolysis unit ADVANCED-PRO MAGNESIUM combines the natural properties of magnesium salt with the benefits of an electrolysis. The sum of benefits makes the pool water rich on minerals and brings additional health factors.

It disinfects the pool water and provides a relaxing bath, softens skin and hair, without unpleasant chlorine odors. Magnesium ions penetrate the skin and provide therapeutic benefits for muscles and tendons as well as for the immune system.



While the generated hypochlorous acid (HClO) disinfects the bacteria in the water, magnesium hydroxide serves as a clarifier and flocculant.



OUR RECOMMENDATION

When installing this magnesium salt electrolysis in your pool system, we recommend the use of Nature Works filter media. You can achieve a clearly higher hygienic result compared with normal sand and therefore the ideal supplement for the highest possible hygiene.



Accessories such like pH and Redox set on page 315

Smart salt electrolysis system PREMIUM-TOUCH-DOM

TOUCHSCREEN AND INTEGRATED SMART HOME FUNCTIONS

- highly efficient bi-polar cell
- advanced Domotic functions
- lock function display
- TFT colour-touch-screen, easy to use
- control of all pool functions with integrated Domotic set
- APP available for IOS and ANDROID
- four programmable relays for pump, filter and lighting

Product	G-kg	PU	Prod.No.
Smart salt electrolysis system PREMIUM-TOUCH-DOM 15g Cl/h self cleaning cell for private pools up to 50m3 (pump runtime 8h)	6.00	1.00	7300571
Smart salt electrolysis system PREMIUM-TOUCH-DOM 20g Cl/h self cleaning cell for private pools up to 75m3 (pump runtime 8h)	6.00	1.00	7300572
Smart salt electrolysis system PREMIUM-TOUCH-DOM 25g Cl/h self cleaning cell for private pools up to 100m3 (pump runtime 8h)	6.00	1.00	7300573
Smart salt electrolysis system PREMIUM-TOUCH-DOM 35g Cl/h self cleaning cell for private pools up to 125m3 (pump runtime 8h)	6.00	1.00	7300574

Accessories

Product	G-kg	PU	Prod.No.
Transparente electrode holder incl. plug and O-ring	0.30	1.00	7300857
Plug for electrode holder	0.03	1.00	7300780
Sealing for plug of electrode holder	0.01	1.00	7300781
Sensor flow meter 1/2" male thread, without saddle	0.30	1.00	7300602
Sensor temperature set, incl. sensor holder and saddle	0.35	1.00	7300603
Sensor Redox ORP, incl. sensor holder, without saddle clamp	0.25	1.00	7300604
Sensor pH, incl. sensor holder, dosing pump, without saddle	0.32	1.00	7300605
Domotic kit	0.30	1.00	7300606
Salinity sensor g/l, 1 1/4" male thread, without saddle	0.25	1.00	7300608
Sensor earthing, 3/4", without saddle	0.25	1.00	7300609
Clamp saddle type "A" reinforced PP black female thread 5 -1/2"	0.25	60.00	73431
Clamp saddle type "B" reinforced PP black female thread 63-1/2"	0.29	40.00	71950
Clamp saddle type "A" reinforced PP black female thread 50-3/4"	0.25	60.00	73432
Clamp saddle type "B" reinforced PP black female thread 63-3/4"	0.30	40.00	73436
Clamp saddle type "A" reinforced PP black female thread 50-1 1/4"	0.28	60.00	73434
Clamp saddle type "B" reinforced PP black female thread 63-1 1/4"	0.33	30.00	73438
Sensor holder for Smart salt electrolysis systems	0.10	1.00	7300855
Dosing pump 1,5l/h	0.35	1.00	7300856



THOSE ON THE WINNER'S PODIUM

EVERYTHING UNDER CONTROL BY USING OUR SMART MEASURING AND CONTROL UNITS



SMART TURBOXY DUO

Chlorine and pH regulation as well as free chlorine measurement for an economic operation of private pool facilities.



Turboxy sensor and sensor holder 2 in 1

SMART POOL PARTNER

Real-time pool control about pH, redox value, temperature, conductivity and source of information for useful water treatment tips.



Values and alarms via App on mobile devices

SMART UV-QUANTUM

Water hygiene was yesterday, Quantum is today. UV Quantum brings the Pool hygiene to a new level and ensures chemical savings through latest UV technology.

PHOTO CATALYSIS

TITAN HOUSING

95% REFLEXION



Turboxy sensor and sensor holder 2 in 1

NEW

WEB

CL PPM

Smart water treatment system TURBOXY Duo pH

- simultaneous control of pH-Wert and chlorine (ppm)
- indicates the chlorine value mg/l, the pH value at the same time
- proportional pH and chlorine dosage
- sensors are protected against electr. induced currents in the pool
- integrated pumps ph value 1,5l/h and chlorine 3l/h
- TURBOXY Duo incl. complete kit (2 in 1 sensor holder) for easy and quick installation
- PAN-TURBOXY Duo installed on a panel (58x38x17cm) incl. transparent cell and kit
- incl. WEB interface, free access
- for pools up to max. 150m²

Product	G-kg	PU	Prod.No.
Smart water treatment system TURBOXY Duo pH 1,5 l/h Cl 3,0 l/h ppm (amperometric) Temp. free chlorine measuring incl. WEB connection, for private swimming pools pipe diameter d50 & d63	4.92	1.00	7300332
Smart water treatment system PAN-TURBOXY Duo pH 1.5 l/h Cl 3.0l/h ppm (amperometric) Temp. Free chlorine measurement incl. WEB connection, for private swimming pools and public pools, system mounted on panels	5.92	1.00	7300847



CL ORP



Sensor holder 2 in 1

**WEB
VERSION**

Smart water treatment system PROpilot Duo pH Redox

- similar to TURBOXY Duo, chloring measuring but via Redox/ORP value
- integrated pumps ph-Wert 1,5l/h and chlorine 1,5l/h
- Propilot Duo incl. complete kit (2 in 1 sensor holder) for easy and quick installation
- Propilot Duo WEB incl. web interface, free access
- for pools up to max. 90 m³

Product	G-kg	PU	Prod.No.
Smart water treatment system PROpilot Duo pH Redox 1,5l/h pH minus and chlorine dosing, incl. 2 in 1 sensor holder, d50 & d63	2.00	1.00	7300333
Smart water treatment system PROpilot Duo WEB pH Redox 1.5l/h pH minus and chlorine dosage, incl. 2 in 1 sensor holder, d50 & d63	4.92	1.00	7300848



Smart pH control POOLeasY

- automatic control of pH-value or Cl (mV)
- adapts the dosage of the chemistry
- volumetric alarm, avoids the emptying of the chemistry container
- incl. complete kit (2 in 1 sensor holder) for easy and quick installation
- in case of sensor change at the same time easy swith from pH to ORP

Product	G-kg	PU	Prod.No.
Smart pH control POOLeasY incl. accessories set 2 in 1 sensor holder, pH-Sensor, pH 7, installation tool, up to 150m ³	1.66	1.00	7300773
Smart ORP control POOLeasY incl accessories set 2 in 1 sensor holder, ORP sensor, calibration solution, installation tool, up to 80m ³	1.66	1.00	7300774



Real-time information via App

Smart Pool Partner

The new Peraqua® Smart Pool Partner measures the pH value, the ORP/Redox value, the conductivity/TDS (salt concentration) and the pool temperature and transmits these values by wifi/bluetooth to your device. Recommendations for further water treatment are indicated, alarm in case of action required, made in the EU.

CHARACTERISTICS

- Low floating line (approx. 18mm), can also be used with pool covers
- Total height 150mm
- Incl. 4 sensores, pH, ORP/Redox, contactivity, temperature, „plug and play“
- Data as weather condition, alkalinity, water hardness,...
- Longlasting, changeable sensores
- Steady control of water conditions
- Rechargeable battery via USB, 1 charge/season (approx. 8 months)
- Simple connection to the local wifi net and cell phone and tablet.
- Free download app
- Spare part service

Product	G-kg	PU	Prod.No.
Smart Pool Partner incl. pH, ORP/Redox, conductivity/TDS and temperature sensor	1.43	1.00	7300237



Smart SPA Partner incl. pH, ORP/Redox

Product	G-kg	PU	Prod.No.
Smart SPA Partner incl. pH, ORP/Redox, conductivity/TDS and temperature sensor	1.20	1.00	7300807



Smart Pool Partner incl. pH, ORP/Redox

Product	G-kg	PU	Prod.No.
Smart Pool Partner incl. pH, ORP/Redox, conductivity/TDS and temperature sensor	1.25	1.00	7300808



WiFi amplifier for Smart partner

Product	G-kg	PU	Prod.No.
WiFi amplifier for Smart partner	0.19	1.00	7300806



SPARE PARTS FOR SMART PARTNER

Product	G-kg	PU	Prod.No.
Replacement sensor pH for Smart partner	0.20	1.00	7300255
Replacement sensor ORP/Redox for Smart partner	0.15	1.00	7300256
Replacement sensor conductivity for Smart partner	0.10	1.00	7300257



**95%
REFLEXION**

Smart UV-C water treatment

This water treatment was developed by latest state of the art know-how refering highly reflective reactor casing materials. This leads to 95% reflectivity (20 – 28% with common stainless steel) and inhibition of growth of micro-organisms.

- 100% sea and saltwater compatible
- Self-cleaning and repellent inner surface
- Digital UV lamp life cycle indication optional

Product	G-kg	PU	Prod.No.
Smart UV-C Water Treatment 55W	9.00	1.00	7300041
Smart UV-C Water Treatment 110W	10.18	1.00	7300042



**PHOTO
CATALYSIS**

**95%
REFLEXION**

**TITAN
INSIDE LINING**

Smart Quantum Hybrid UV water treatment

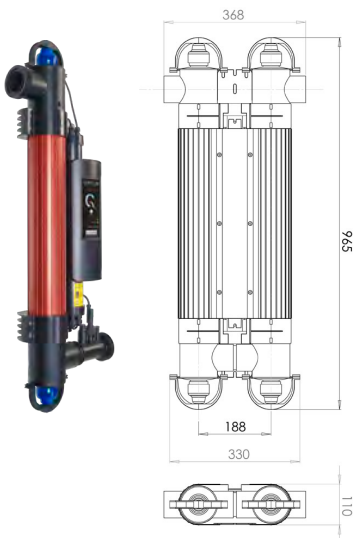
Smart Quantum produces crystal-clear hygienic pool water by Nano Crystal Technology; meaning that photocatalytic reaction produces additional oxidisers, which transforms organic substances as sun oil, biofilm and urea to their harmless molecular formation.

- Combined Photocatalytic & Hydroxyl Radical and UV technology
- Destroys bacteria, micro-organisms, pathogenic agents and viruses
- Significant reduction of chemistry consumption
- Seawater compatible
- Flow monitor included
- Control lamp for lamp exchange

TECHNICAL DATA

- Voltage: 220 – 240 V, 50 – 60 Hz
- Max operation pressure: 3 bar
- Max flow single tube: 12 m³/h, 55 W lamp, pools up to 65 m³
- Max flow double tube: 24 m³/h, 2 x 55 W lamp, pools up to 130 m³
- Lamp life cycle: up to 14.000 h
- Protection code IP55
- Water connections: ABS solvent connection 2"/63 mm, incl. reduction for 1 1/2" or 50 mm

Product	G-kg	PU	Prod.No.
Smart Quantum Photocatalytic Water Treatment 55W	6.63	1.00	740104
Smart Quantum Photocatalytic Water Treatment 110W	10.83	1.00	740105
Quantum UV replacement lamp 55kW	0.53	1.00	7300337





smart

Smart by Peraqua stands for intelligent and innovative pool cleaning accessories designed and developed in Austria.

We call our attention to a nice-looking design and a good functionality, the production process is monitored and strictly.



The Smart Pool Cleaning Accessory line will be delivered to our customer in multilingual packaging for optimal presentation.



Smart leaf skimmer blue

Product	G-kg	PU	Prod.No.
Smart Leaf Skimmer blue Standard PP-GFK single packed	0.25	12.00	78701



Smart leaf skimmer blue, heavy duty

Smart heavy duty aluminium leaf skimmer blue, PP-GFK with nylon net, single packed

Product	G-kg	PU	Prod.No.
Smart heavy duty aluminium leaf skimmer blue, PP-GFK with nylon net, single packed	8.20	24.00	7300610



Smart leaf rake blue

Product	G-kg	PU	Prod.No.
Smart Leaf Rake PP-GFK blue single packed	0.23	12.00	78700



Smart leaf rake, heavy duty

Smart heavy duty aluminium leaf rake blue, PP-GFK with nylon net, single packed

Product	G-kg	PU	Prod.No.
Smart heavy duty aluminium leaf rake blue, PP-GFK with nylon net, single packed	4.90	12.00	7300611



Smart leaf skimmer

With 4-part telescopic aluminium rod, 140cm

Product	G-kg	PU	Prod.No.
Smart Skimmer with 4-parts alu rod PP-GFK blue single packed	0.63	12.00	78711



Smart leaf skimmer (TELE)

With 3 x 60 cm telescope function, high quality PE net

Product	G-kg	PU	Prod.No.
Smart skimmer with 3x60 cm telescopic function	0.44	1.00	74726



Smart wall brush

With soft plastic bristles for liner and tile pools, 12.7cm / 5", blue

Product	G-kg	PU	Prod.No.
Smart Pool Brush short PP blue single packed, 13 cm/5" unbreakable	0.10	48.00	78846



Smart wall brush

45 cm/18", blue

Product	G-kg	PU	Prod.No.
Smart Wall Brush blue Standard PP-GFK 45 cm/18" single packed	0.27	12.00	78703



Smart wall brush

26 cm/10", blue

Product	G-kg	PU	Prod.No.
Smart Wall Brush blue Standard PP-GFK 26 cm/10" single packed	0.23	12.00	78702



Smart wall brush blue, heavy duty

Smart heavy duty aluminium wall brush, PP-GFK blue, 45 cm/18", single packed

Product	G-kg	PU	Prod.No.
Smart heavy duty aluminium wall brush blue, PP-GFK, 45 cm/18", single packed	4.70	12.00	7300612



Smart wall brush "whale type"

45 cm / 18", blue
For spine friendly pool wall cleaning

Product	G-kg	PU	Prod.No.
Smart Wall Brush "Wal Type" W PP blue 45 cm/18"	0.92	12.00	78714



Smart wall brush "Wal Type"

50 cm / 20", blue
For spine friendly pool wall cleaning

Product	G-kg	PU	Prod.No.
Smart Wall Brush "Wal Type" large PP blue 20"	1.38	8.00	78729



Smart hand brush

With ergonomic soft touch handle, blue/white/grey

Product	G-kg	PU	Prod.No.
Smart hand brush with ergonomic soft touch handle, blue/white/grey	0.29	48.00	78848



Smart corner brush white

Product	G-kg	PU	Prod.No.
Corner brush Smart PP white single packed	0.12	6.00	78904



Smart algae brush heavy duty, blue, PP, 5"/13 cm or 10"/25,5 cm

Product	G-kg	PU	Prod.No.
Smart heavy duty algae brush blue, PP, 5"/13 cm, single packed	9.50	48.00	7300613
Smart heavy duty algae brush blue, PP, 10"/25,5 cm, single packed	7.20	24.00	7300614

Smart hand scrubber light



Product	G-kg	PU	Prod.No.
Smart Hand Scrubber light single packing	0.07	24.00	78712

Smart dirt rubber

White, size: 12 x 7 x 3 cm, 10 pcs/package, for removal of watermarks



Product	G-kg	PU	Prod.No.
Smart eraser (1 pack = 10 pcs.)	0.03	10.00	75021

Smart aluminium rod 2 x 1.8 m, silver



Smart



Ocean®

Product	G-kg	PU	Prod.No.
Smart Alu Telescopic Rod 2x1,8 m 2-parts alu silver anodized 1,8 - 3,6m single packed, with handles	1.25	12.00	78722
Telescopic Rod 2-parts alu silver anodized 1,8 - 3,6m Ocean single packing	1.25	10.00	170003
Smart Alu Telescopi Rod 2x2,4 m 2-parts alu silver anodized 2,4 - 4,8m single packed with handles	1.42	12.00	78731
Telescopic Rod 2-parts alu silver anodized 2,4 - 4,8m Ocean single packing	1.60	10.00	170004

Smart aluminium telescopic rod deluxe, 3-parts

Excenter length adjustment, ergonomic soft hand grips, lengths: 3 x 1,200 mm; 3 x 1,600 mm



Smart



Ocean®

Product	G-kg	PU	Prod.No.
Teleskopisk Rod 3-parts alu silver anodized single packing 3x1200 mm	0.87	12.00	78871
Telescopic rods 3 parts alu silver anodized 1,2 - 3,6m Ocean- single packing	1.02	10.00	170005
	0.83	12.00	78872
Telescopic rods 3 parts alu silver anodized 1,8 - 4,8m Ocean- single packing	1.52	10.00	170006



Smart pool caddy

For safe and clear storage of Ocean® and Smart pool cleaning accessories, for wall fastening incl. mount for Ocean® telescopic rods.

Product	G-kg	PU	Prod.No.
Smart pool Caddy for wall-mounting	0.52	12.00	78297



Smart floor vac head

With vacuum adjustment and side brushes, white/blue

Product	G-kg	PU	Prod.No.
Smart Vac Head blue single packed with side brushes	1.25	12.00	78708



Smart floor vac head

With vacuum adjustment, no side brushes, white/blue

Product	G-kg	PU	Prod.No.
Smart Vac Head white single packed	1.25	12.00	78738



Smart floor vac head

With vacuum adjustment, white/blue

Product	G-kg	PU	Prod.No.
Smart Vac Head single packed white-blue	0.92	6.00	78709



Smart Vac Head single packed white-blue

Product	G-kg	PU	Prod.No.
Smart floor vac with lateral brushes	1.17	1.00	74767



Smart floor vac head triangle

With brushes and swivelling hose connection, blue

Product	G-kg	PU	Prod.No.
Smart Triangle Vac Head with brushes blue, single packed with swivelling connection	1.20	6.00	78730



Smart floor vac head triangle flex

Better cleaning of pool edges because of flex body and brushes, blue

Product	G-kg	PU	Prod.No.
Smart Flex Triangle Vac Head blue-transparent single packed	0.90	6.00	78704



Smart floor vac head TRI deluxe

Fixed pool hose connection (d32/38), floor brushes, blue

Product	G-kg	PU	Prod.No.
Smart vacuum head TRI deluxe blue, single packed	1.34	6.00	78843



Smart floor vac head flex

Better cleaning of pool edges because of flex body and brushes, blue

Product	G-kg	PU	Prod.No.
Smart Flex Vac Head blue single packed	0.70	6.00	78706



Smart floor vac head single flex

With fixed hose connection, 35 cm/14", blue/ white

Product	G-kg	PU	Prod.No.
Smart Single Flex vac blue/white with fixed hose connection, 35 cm/14"	1.02	1.00	74797



Smart floor vac head single flex

With fixed hose connection and brushes, 35 cm/14", blue/white

Product	G-kg	PU	Prod.No.
Smart Flex vac with side brushes blue/white, with fixed hose connection 35 cm/14"	1.13	1.00	74798



Smart pool cleaning kit

Consisting of leaf skimmer, leaf rake, wall brush, floor vac, hand scrubber

Product	G-kg	PU	Prod.No.
Smart Poolreinigungskit	2.56	1.00	75023



Smart automatic floor vac head

With 10 m special hose, for pools up to 8 x 4 m, blue, min. pump capacity: 6–8 m³/h

Product	G-kg	PU	Prod.No.
Smart Automatic Vac. Head blue with diaphragme single packed with 10m hose	7.50	1.00	78723



Whaly Vac

For small above ground pools, smart-drive programming, for quick and fast cleaning, with anti-friction ring, for liner protection, silent operation

Product	G-kg	PU	Prod.No.
Whaly Vac for small above-ground pools with flat bottom, smart-drive programming	8.00	1.00	7300026



Lil Shark

Two-ways-cleaning, patented bristles, with telescopic adapter, suction width 6 m³/h, 10 m hose, recommended for round, oval and octagonal pools

Product	G-kg	PU	Prod.No.
Lil Shark, suction cleaning from 6 m ³ /h, 10 m hose	6.00	1.00	70908



Smart chlorine dispenser

For d7.6cm / 3" tabs, with fixing clamps, blue/white

Product	G-kg	PU	Prod.No.
Smart Chlorine Dispenser Typ "B" blue	0.31	24.00	78710



Smart chlorine dispenser

For d7.6cm / 3" tabs, with fixing clamps, integrated thermometer, childproof lock lid, blue/white; when tab is used up this dispenser turns upside down

Product	G-kg	PU	Prod.No.
Smart Chlorine Dispenser for 3" tablets with thermometer type "B" blue single packed with shut-off function	0.25	12.00	78733



Smart pool thermometer blue

Product	G-kg	PU	Prod.No.
Smart Pool Thermometer blue	0.03	180.00	78841



Smart pool thermometer white

Product	G-kg	PU	Prod.No.
Smart Pool Thermometer white	0.06	120.00	78842



Smart pool thermometer dolphin, turtle, duck

Product	G-kg	PU	Prod.No.
Smart Pool Thermometer Dolphin, single packed	0.14	48.00	78715
Smart Pool Thermometer Turtle, yellow-green single packed	0.14	48.00	78716
Smart Pool Thermometer Duck yellow single packed	0.14	48.00	78717



Smart pool thermometer

UV resistant ring, clearly legible scale (0 up to +43) , temperatur sensor, nylon cord for fixing on the pool edge, personalized scale for more than 1,000 pieces annual demand deliverable, 4-colour Smart single packing

Product	G-kg	PU	Prod.No.
Pool Thermometer d= 18 cm blue	0.19	12.00	78853



Smart safety ring

Product	G-kg	PU	Prod.No.
Smart Swim Ring	1.33	6.00	78719



Smart safety hook

Product	G-kg	PU	Prod.No.
Smart Life Hook aluminium for telescopic rod	0.45	10.00	78761



Smart bin

Optimal for pool entrance area, blue

Product	G-kg	PU	Prod.No.
Smart Foot Bath blue single packed 40x40x10cm	0.55	12.00	78720



Ocean® pool hose eco

d32 and d38, packed in soil resistant PE bags, white/blue

Product	G-kg	PU	Prod.No.
Swimming Pool Hose Ocean ECO socket distance 1,5m d38 white l=51m	0.21	51.00	75596
Swimming Pool Hose Ocean ECO socket distance 1,1m d32 blue l=50,6m	0.18	50.60	75597
Swimming Pool Hose Ocean ECO socket distance 1,1m d32 white l=50,6m	0.18	50.60	75598

Water testing



Smart Pool Lab 1.0 Photometer

Digital testing instrument, IP67, with changeable cuvette, wireless and bluetooth 4.0 compatible, free cloud service, app
Incl. tablets for: chlorine (free, combined, total), PH value, alkalinity, cyanuric acid
Optional with additional tablets: active oxygen, bromine, chlorine dioxide, ozone, hydrogen peroxide

Product	G-kg	PU	Prod.No.
Smart Pool Lab 1.0 Photometer, digital test system, IP67, with changeable cuvette, wireless	0.31	1.00	740051



Test strips Smart 3 in 1

PH, free chlorine/bromine and total alkalinity

Product	G-kg	PU	Prod.No.
Test strips Smart 3 in 1, pH/chlorine/bromine and total alkalinity unit = 40 cans à 40 test strips	0.04	1.00	740170



Test strips Smart 5 in 1

PH, free chlorine/bromine, total alkalinity, cyanuric acid and total hardness

Product	G-kg	PU	Prod.No.
Test strips Smart 5 in 1, pH/chlorine/bromine/total hardness/ cyanuric acid and total alkalinity unit = 40 cans à 50 strips	0.04	1.00	740171



Test strips Smart salt

Natrium chloride

Product	G-kg	PU	Prod.No.
Test strips Smart Salt, NaCl, 1 unit = 40 cans à 20 strips	0.04	1.00	740172



DPD 1 chlorine tablets for Smart Pool Lab 1.0 Photometer

PU = 50 pcs

Product	G-kg	PU	Prod.No.
DPD 1 Chlorine Tablets for Smart Pool Lab 1.0 Photometer, 1 unit = 50 pcs.	0.02	1.00	740173



DPD 3 chlorine tablets for Smart Pool Lab 1.0 Photometer

PU = 50 pcs

Product	G-kg	PU	Prod.No.
DPD 3 Chlorine Tablets for Smart Pool Lab 1.0 Photometer, 1 unit = 50 pcs.	0.02	1.00	740174



Phenol Red tablets for Smart Pool Lab 1.0 Photometer

PU = 50 pcs

Product	G-kg	PU	Prod.No.
Phenol Red Tablets for Smart Pool Lab 1.0 Photometer, 1 unit = 50 pcs.	0.02	1.00	740175



Alkalinity-M tablets for Smart Pool Lab 1.0 Photometer

PU = 50 pcs

Product	G-kg	PU	Prod.No.
Alkalinity-M Tablets for Smart Pool Lab 1.0 Photometer unit = 50 pcs	0.02	1.00	740176



CYA-Test cyanuric acid tablets for Smart Pool Lab 1.0 Photometer

PU = 50 pcs

Product	G-kg	PU	Prod.No.
CYA-Test Cyanuric Acid Tablets for Smart Pool Lab 1.0 Photometer, unit = 50 pcs.	0.02	1.00	740177



DPD 4 active oxygen tablets for Smart Pool Lab 1.0 Photometer

PU = 50 pcs

Product	G-kg	PU	Prod.No.
DPD 4 active Oxygen Tablets for Smart Pool Lab 1.0 Photometer, unit = 50 pcs.	0.02	1.00	740178



Smart test kit DPD

PH/CL liquid.

Product	G-kg	PU	Prod.No.
Testkit DPD ECO liquid loose packing	0.12	24.00	78847



refill bottle for test kit DPD ECO

Product	G-kg	PU	Prod.No.
bottle for test kit DPD ECO liquid loose packed	0.05	100.00	75753



Smart test kit PH/CL

Test kit with tablets
Per 10 pcs DPD 1 and PH

Product	G-kg	PU	Prod.No.
Smart test kit PH/CL DPD single packed, tablet	0.13	72.00	78707

Ocean® duff vac head
with special GFK reinforced adapter handle

page 380



PRODUCTS FOR NATURAL POOLS

372 | White goods for natural pools

377 | Ocean® liner for natural pools

378 | Cleaning accessories



NATURE & TECHNOLOGY IN HARMONY



WHERE NATURAL POOLS BECOME INTELLIGENT NATURAL POOLS

There are different requirements on the individual components when planning a natural pool site. Therefore we developed special installation parts & cleaning accessories based on those needs, for example the smart controlled filter series incl. Loxone Aquastar® Air pool control (see in chapter Filter&Filter Media and Controls).

The design of the built-in parts flatters the natural ambience, the aluminum reinforced construction of cleaning accessories withstands the special conditions (e.g. heavy mud).



The Ocean® duff vac head cleaner from Praher Plastics® cleans gently and efficiently different and sensitive surfaces of natural pool areas. In order to protect the pond liner we developed a stepped, interchangeable suction ring in addition.

A special feature is the transparent suction cup made of indestructible polycarbonate. The flexible adapter handle made of high-performance polyamide (5 times higher strength) is 360° rotatable.

Optionally, an additional brush ring can be ordered to clean decorative stones or steps even better.



NATURAL TECHNOLOGY

Planning a natural pool often is not just the desire of naturally filtered water, it's also the ecological and environmental-friendly aspect. Water saving, energy efficient and hygienic prepared are properties that perfectly describe following Peraqua® products suitable for natural pool.



The stepless / speed controlled **Smart swimming pool pump E.Pro** is with up to 90% energy savings a true energy-saving champion.

The pressure-controlled **Aquastar® Comfort backwash valve** makes one automatic backwash only then, if there is too much dirt collected in the filter. The optional SafetyPack function protects against water loss in case of power failure.



Thanks to its high water permeability and dirt retention capacity our **Hi-Tech glass filter material Nature Works** reduces the number of backwash operations and lowers the water consumption compared to others filter media up to 25%. It also counts to the best hygienic ones of it's category.

The **Smart Quantum Hybrid UV water treatment** generates chemical-free pureness and sterile pool water through photocatalytic reaction.



Our **FlexFit® series** with glueless connection for **FlexFit® fittings** with PVC hoses are designed do save the environment next to it's other advantages. The production with high quality materials at Praher Plastics® guarantees long lifetime and saves resources.



Smart skimmer High75 black ABS

ABS, suction 700x90 mm for concrete, liner and build-up pools, sealings, screw set, sieve basket, R1 1/2"+2" female thread connection for high water level 6-7 cm

Product	G-kg	PU	Prod.No.
High water level skimmer High75 black ABS with brass inserts	7.15	1.00	78515



Smart overflow skimmer 20

compact PE - plastic skimmer, leaf basket made of Niro, connection d63, incl. safety bar, Ø top: 21 cm, base: 40 × 40 cm, total height: approx. 37 cm, hose connection D63 PVC- solvent connection, application: acc. to pump type between 5 and 12 m³, leveling: approx. 22 cm, optimal water level: approx. 48 cm, min. installation height: ca. 40 cm – 4 cm

Product	G-kg	PU	Prod.No.
Float skimmer Ocean SKT 20 PE black d63 incl. safety bar, leaf basket made of Niro incl. escape hatch acc. ÖNORM L 1128	4.60	1.00	78077



Smart overflow skimmer 30

compact PE plastic skimmer, leaf basket made of Niro, connection d75, incl. safety bar Ø top: 32,5 cm, base: 58 × 58 cm, total height: approx. 45 cm, hose connection D75 PVC solvent connection, application: acc. to pump type between 12 and 20 m³, leveling: approx. 26 cm, optimal water level: approx. 58 cm, min. installation height: ca. 49 cm – 5 cm

Product	G-kg	PU	Prod.No.
Float skimmer Ocean SKT 30 PE black d75 incl. safet bar, leaf basket made of Niro incl. escap hatch acc. ÖNORM L 1128	12.00	1.00	78078



Smart escape hatch for overflow skimmer 10/20/30 (net only)

acc. ÖNORM L1128

Product	G-kg	PU	Prod.No.
OCEAN skimmer retrofitting for SK20, escape hatch	0.05	1.00	78598
OCEAN skimmer retrofitting for SK30, escape hatch	0.06	1.00	78599



Smart Skim 300s

30 cm diameter, 85 cm leading edge, solvent socket or nozzle, VA basket, 8 mm mesh, dirt ring, V4A overflow skimmer stainless steel

Product	G-kg	PU	Prod.No.
Smart Skim 300s 2" AG, VA skimmer incl. 2" nozzle	11.00	1.00	7300418



Smart Skim 400s

36 cm diameter, 3" male thread, VA basket 8mm mesh, dirt ring, V4A overflow skimmer stainless steel

Product	G-kg	PU	Prod.No.
3" male thread, VA stainless steel incl. PVC socket 3" female thread x 110	17.50	1.00	7300419



Smart skimmer with cave chamber for 12V pump

Incl. liner flange and stainless steel strainer, integrated overflow, made of PE, escape hatch according to ÖNORM L1128 standard

Product	G-kg	PU	Prod.No.
Ocean skimmer 230 with cave chamber for 12V pump, material: PE, escape hatch acc. to ÖNORM L 1128, L=595 x B=355 x H= 521	24.00	1.00	74946
Ocean skimmer 330 with cave chamber for 12V pump, material: PE, escape hatch acc. to ÖNORM L 1128, L=715 x B=455 x H= 621	32.00	1.00	74947
Ocean skimmer 460 MONO with cave chamber for 12V pump, material: PE, escape hatch acc. to ÖNORM L 1128, L=715 x B=585 x H= 621	33.50	1.00	74948
Ocean skimmer 460 TWIN with cave chamber for 12V pump, material: PE, escape hatch acc. to ÖNORM L 1128, L=715 x B=585 x H= 621	38.00	1.00	74949



Smart skimmer for operation with external pump

Incl. liner flange and stainless steel strainer, integrated overflow, made of PE, escape hatch according to ÖNORM L1128 standard

Product	G-kg	PU	Prod.No.
Ocean skimmer 230 for external pump, material: PE, escape hatch lt. ÖNORM L 1128, L=595 x B=355 x H=521	22.00	1.00	74950
Ocean skimmer 330 for external pump, material: PE, escape hatch lt. ÖNORM L 1128, L=715 x B=455 x H=621	32.00	1.00	74951
Ocean skimmer 460 for external pump, material: PE, escape hatch, lt. ÖNORM L 1128, L=715 x B=585 x H=621	35.00	1.00	74952



Smart under water light 300 W/12 V black

for liner and polyester pools

ABS, flange set, 18 x brass inserts, 25 mm screws, for installation in polyester pools we recommend 35 mm screws

Product	G-kg	PU	Prod.No.
Under water light Ocean for liner pools ABS black 300W 12V with flange set & 18x brass inserts & 25 mm screws	2.58	1.00	78021



Smart nature triangle vac head, black

Product	G-kg	PU	Prod.No.
Vacuum head black single packed with swivel	1.50	6.00	78724



Smart wall conduit for liners single pools

Product	G-kg	PU	Prod.No.
Wall conduit for liners d50/50, s.steel flange 1.4574 incl screws	0.24	1.00	78823



Smart wall conduit for liner double pools

Product	G-kg	PU	Prod.No.
Wall Conduit double d63/75 inkl. stainless steel flange 1.4574 with screws	0.88	1.00	78824



Smart main drain universal

our new main drain has top functions in combination with high quality. with the new strainer the main drain comes along with a PVC socket, for the easy installation on site. 4 mm fixed-loose flange in combination with rubber sealing, V4A stainless steel.

Product	G-kg	PU	Prod.No.
Smart main drain Universal VBA 100, incl. sieve and rubber sealing, VA stainless steel	3.00	1.00	7300421

Cleaning accessories



Smart nature aluminium leaf skimmer black/white

with robust aluminium handle system

Product	G-kg	PU	Prod.No.
Leaf skimmer standard PP-GFR single packed	0.46	12.00	78726



Smart nature aluminium leaf rake, grey/black

with robust aluminium handle system

Product	G-kg	PU	Prod.No.
Leaf rake standard PP-GFR single packed	0.50	12.00	78727



Smart nature wall brush 45 cm/18", black

with robust aluminium handle system

Product	G-kg	PU	Prod.No.
Wallbrush standard PP-GFR single packed 24"	0.83	12.00	78728



Smart wall brush WHALE TYPE large, blue, 50 cm

For optimal cleaning of stairs, rocks and liners, adjustable blade mechanism, 10 times higher pressure, ideal for effortless and efficient cleaning of the pool walls

Product	G-kg	PU	Prod.No.
Wall brush Smart PP blue 20"	1.38	8.00	78729



Smart impeller pump 8000 + 12000

Dry self-suction impeller pump, for professional pond and natural pool cleaning, guarantees continuous and pulsation-free flow, robust and compact construction, flexible and high-quality impeller

Product	G-kg	PU	Prod.No.
Ocean Impeller pump 8000 220V, 8000 l/h, 4 bar, 2,2 kW incl. trolley, on and off protection switch	38.20	1.00	74962
Ocean Impeller pump 12000 220V, 12000 l/h, 5 bar, 2,2 kW incl. trolley, on and off protection switch	43.28	1.00	74963
VA stainless steel stoneburier for all models	6.00	1.00	75100

V4A stainless steel stoneburier not included in the delivery



Ersatzteilliste / Spare Parts List	
Pos.	Artikelbezeichnung Part Description
1	Ersatzzelle für Smart Elektrolyseanlage ECO 10g <i>Spare cell for Smart electrolysis ECO 10g</i>
2	Ersatzzelle für Smart Elektrolyseanlage ECO 15g <i>Spare cell for Smart electrolysis ECO 15g</i>
3	Ersatzzelle für Smart Elektrolyseanlage ECO 20g <i>Spare cell for Smart electrolysis ECO 20g</i>
4	Ersatzzelle für Smart Elektrolyseanlage ECO 25g <i>Spare cell for Smart electrolysis ECO 25g</i>
5	Ersatzzelle für Smart Elektrolyseanlage ECO 35g <i>Spare cell for Smart electrolysis ECO 35g</i>



Ersatzteilliste / Spare Parts List	
Pos.	Artikelbezeichnung Part Description
1	Ersatzzelle für Smart Elektrolyseanlage ADVANCED-PRO 10g <i>Spare cell for Smart ADVANCED-PRO 10g</i>
2	Ersatzzelle für Smart Elektrolyseanlage ADVANCED-PRO 15g <i>Spare cell for Smart ADVANCED-PRO 15g</i>
3	Ersatzzelle für Smart Elektrolyseanlage ADVANCED-PRO 20g <i>Spare cell for Smart ADVANCED-PRO 20g</i>
4	Ersatzzelle für Smart Elektrolyseanlage ADVANCED-PRO 25g <i>Spare cell for Smart ADVANCED-PRO 25g</i>
5	Ersatzzelle für Smart Elektrolyseanlage ADVANCED-PRO 35g <i>Spare cell for Smart ADVANCED-PRO 35g</i>

Smart salt electrolysis LOW SALT / PREMIUM TOUCH DOM



Ersatzteilliste / Spare Parts List	
Pos.	Artikelbezeichnung Part Description
1	Ersatzzelle für Smart Elektrolyseanlage ADVANCED-PRO LOW SALT 15g / Spare cell for Smart electrolysis ADVANCED-PRO LOW SALT 15g
2	Ersatzzelle für Smart Elektrolyseanlage ADVANCED-PRO LOW SALT 20g / Spare cell for Smart electrolysis ADVANCED-PRO LOW SALT 20g
3	Ersatzzelle für Smart Elektrolyseanlage ADVANCED-PRO LOW SALT 30g / Spare cell for Smart electrolysis ADVANCED-PRO LOW SALT 30g



Ersatzteilliste / Spare Parts List	
Pos.	Artikelbezeichnung Part Description
1	Ersatzzelle für Smart Elektrolyseanlage PREMIUM-TOUCH-DOM 15g Spare cell for Smart electrolysis PREMIUM-TOUCH-DOM 15g
2	Ersatzzelle für Smart Elektrolyseanlage PREMIUM-TOUCH-DOM 20g Spare cell for Smart electrolysis PREMIUM-TOUCH-DOM 20g
3	Ersatzzelle für Smart Elektrolyseanlage PREMIUM-TOUCH-DOM 25g Spare cell for Smart electrolysis PREMIUM-TOUCH-DOM 25g
4	Ersatzzelle für Smart Elektrolyseanlage PREMIUM-TOUCH-DOM 35g Spare cell for Smart electrolysis PREMIUM-TOUCH-DOM 35g

Архангельск (8182)63-90-72
Астана (7172)727-132
Астрахань (8512)99-46-04
Барнаул (3852)73-04-60
Белгород (4722)40-23-64
Брянск (4832)59-03-52
Владивосток (423)249-28-31
Волгоград (844)278-03-48
Вологда (8172)26-41-59
Воронеж (473)204-51-73
Екатеринбург (343)384-55-89
Иваново (4932)77-34-06

Ижевск (3412)26-03-58
Иркутск (395)279-98-46
Казань (843)206-01-48
Калининград (4012)72-03-81
Калуга (4842)92-23-67
Кемерово (3842)65-04-62
Киров (8332)68-02-04
Краснодар (861)203-40-90
Красноярск (391)204-63-61
Курск (4712)77-13-04
Липецк (4742)52-20-81
Киргизия (996)312-96-26-47

Магнитогорск (3519)55-03-13
Москва (495)268-04-70
Мурманск (8152)59-64-93
Набережные Челны (8552)20-53-41
Нижний Новгород (831)429-08-12
Новокузнецк (3843)20-46-81
Новосибирск (383)227-86-73
Омск (3812)21-46-40
Орел (4862)44-53-42
Оренбург (3532)37-68-04
Пенза (8412)22-31-16
Казахстан (772)734-952-31

Пермь (342)205-81-47
Ростов-на-Дону (863)308-18-15
Рязань (4912)46-61-64
Самара (846)206-03-16
Санкт-Петербург (812)309-46-40
Саратов (845)249-38-78
Севастополь (8692)22-31-93
Симферополь (3652)67-13-56
Смоленск (4812)29-41-54
Сочи (862)225-72-31
Ставрополь (8652)20-65-13

Сургут (3462)77-98-35
Тверь (4822)63-31-35
Томск (3822)98-41-53
Тула (4872)74-02-29
Тюмень (3452)66-21-18
Ульяновск (8422)24-23-59
Уфа (347)229-48-12
Хабаровск (4212)92-98-04
Челябинск (351)202-03-61
Череповец (8202)49-02-64
Ярославль (4852)69-52-93

<https://smart.nt-rt.ru/> || sfd@nt-rt.ru